

Moved by learning

Researchers have proven that movement helps us learn more effectively. We are limiting children's capacity for learning by making them sit still for too long, too often. We used this knowledge and experience as a starting point.

Our goal? To create a unique active learning environment in which students learn more intensely and develop their creativity through a new, movement-friendly approach. Also 'moved by learning?' Then please contact us for more information about Motion in your school.



Analog & digital version

Motion comes in both analog and digital versions. The digital version has a motion detection module that communicates wirelessly with the online i3LEARNHUB digital board software. This enables you to magically transform the Motion into an interactive and digital educational resource in no time at all.



Analog

PRODUCT INFORMATION

Model name	Motion cube
weight	1,9kg/piece

WARRANTY

Standard warranty	3 years
-------------------	---------

ACCESSORIES

Included	Dot Stickers
	Practice Book "Embodied learning with Motion" Building cards
Optional	Receiver Antenna MRX2 Motion MDM2

Packs

Motion CUBE available as

- Single cube
- Set of 4
- Set of 12
- Set of 24
- Set of 32

Motion Detection Module (MDM2)

- 1 MDM
- Set of 4 (incl. Receiver Antenna MRX2)
- Set of 8 (incl. Receiver Antenna MRX2)
- Set of 12 (incl. Receiver Antenna MRX2)

Motion - STARTERS PACK

includes 4 Motion cubes,
4 MDM2's
and a Receiver Antenna MRX2

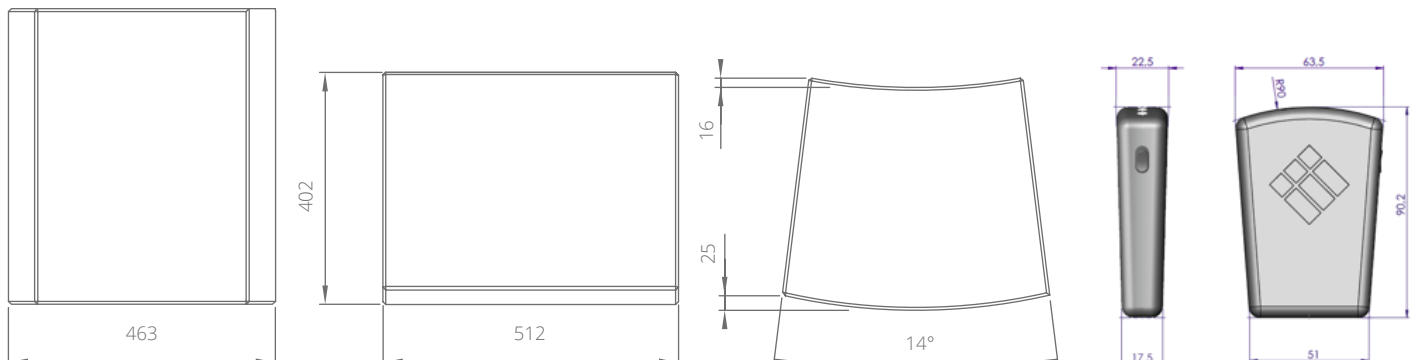


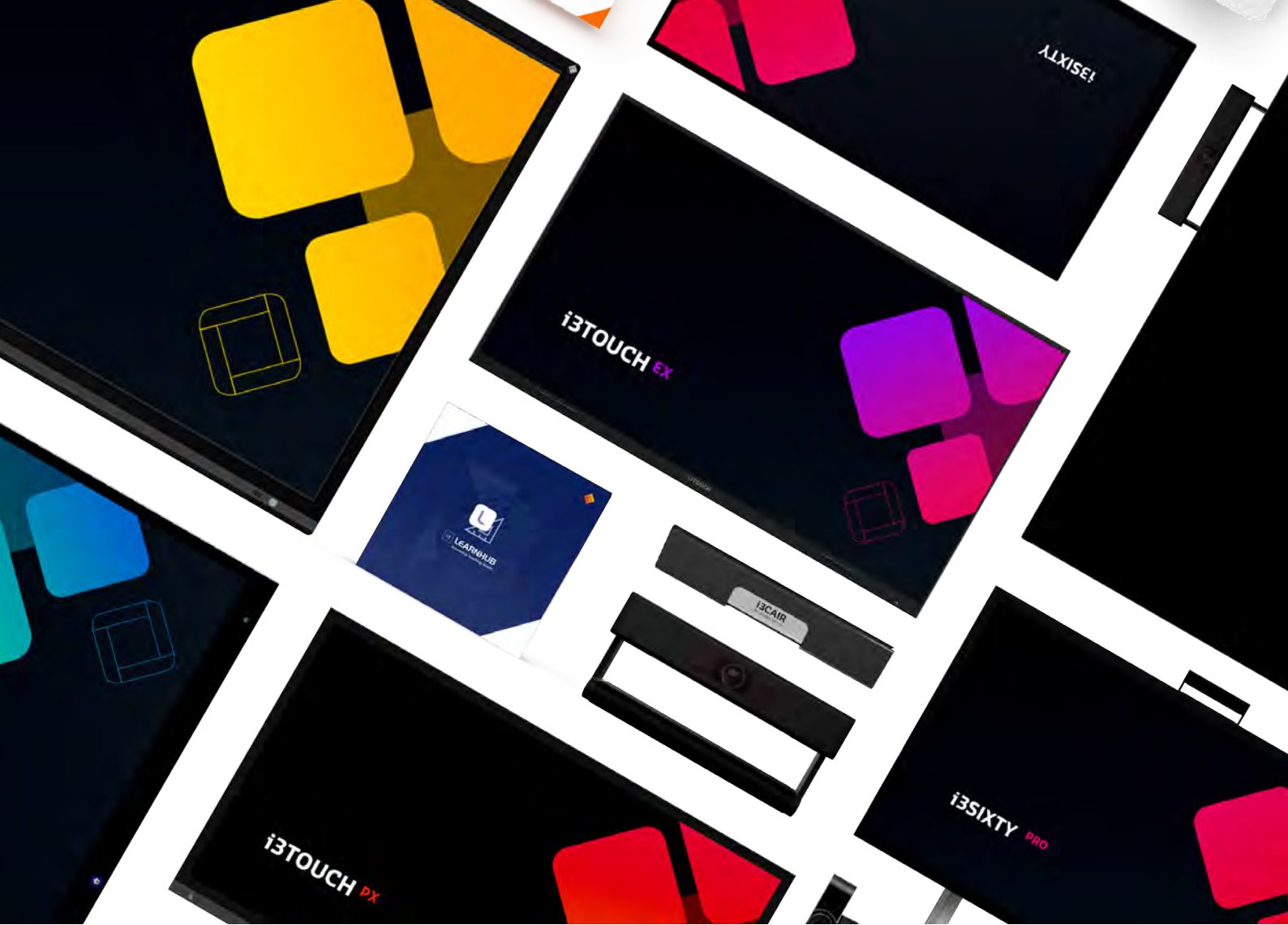
Digital

Motion - Motion Detection Module (MDM)

Size	90 x 63 x 21 mm
Communication	2.4GHz proprietary wireless protocol Connects to max. 64 MDM's
Power	USB Type C; DC 5V
Battery	Rechargeable LI-ION Battery 14500, 3.7V
Components	Motion Detection Module Operating system: Windows 10
Minimum Desktop requirements:	4GB RAM 1GB free storage space
Minimum MAC requirements	OSX 12.7 8GB RAM 1GB free storage space

Technical drawing





Like to know more ?

Get in touch

i3-TECHNOLOGIES HQ
Kleine Schaluinweg 7
3290 DIEST
Belgium

TEL: + 32 56 313 415

MAIL: info@i3-technologies.com

Book a demo

Please complete the "book a demo" form and we will get in touch to arrange a virtual tour or work together to see if there are possibilities to book a personal demo near your location.