



i3-TECHNOLOGIES



i3FLOORSTAND Floor lift 02 on wheels

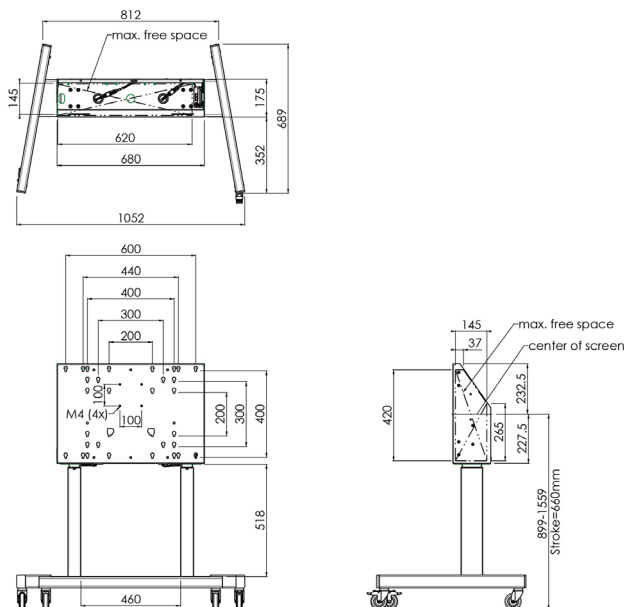
What makes this product so unique is its screen flexibility and installation ease, within just three steps the product is installed and ready for use. These wheeled stands with electrical height adjustment have continuous and silent height adjustment and an integrated screen bracket containing most VESA patterns, making it suitable for almost every display.

The embedded VESA bracket has another special feature, it can be used as support for a PC at the back.



SPECIFICATIONS

Display Mount	VESA Flat Display Mounting Interface	VESA 100 x 100 VESA 200 x 200 VESA 300 x 300 VESA 400 x 200 (landscape + portrait) VESA 400 x 400 VESA 440 x 400 (landscape) VESA 600 x 400 (landscape)
	maximum display load	120 kilograms
	maximum display size	86 inch
Operation	height adjusting method	electrical lift
	height stroke	660 millimeters
	minimum height (center VESA interface)	889 millimeters
	maximum height (center VESA interface)	1559 millimeters
Features	color	black
	storage space	620 x 145 x 265 millimeters
	storage cable entry	30 millimeters (diameter)
	mobility	4x rotating wheels (2x brake locks)
	other	mounting hole for electrical junction box
Installation	installation method	mobile, on wheels
	power input	220 Volt - 60 Hertz
	power consumption	standby: less than 1 Watt in operation: max 200 Watt (depending on load)
Physical Properties	net weight	41 kilograms
	packaged weight	48 kilograms
	packaged dimensions	1200 x 800 x 250 millimeters
Regulatory	type approval	CE



AUTHORIZED DISTRIBUTOR