



i3-TECHNOLOGIES

i3SIXTY PRO

Quick start guide



Thank you.

Enjoy the purchase of your i3SIXTY PRO interactive touch display.

Lets see what's in the box.

i3-Technologies is conscious about the environmental impact of the products that we produce. Therefore we would like you to support us in this mission by disposing all packaging according to any local regulations.

To check if we packed your product correctly, please verify if all these items are present:

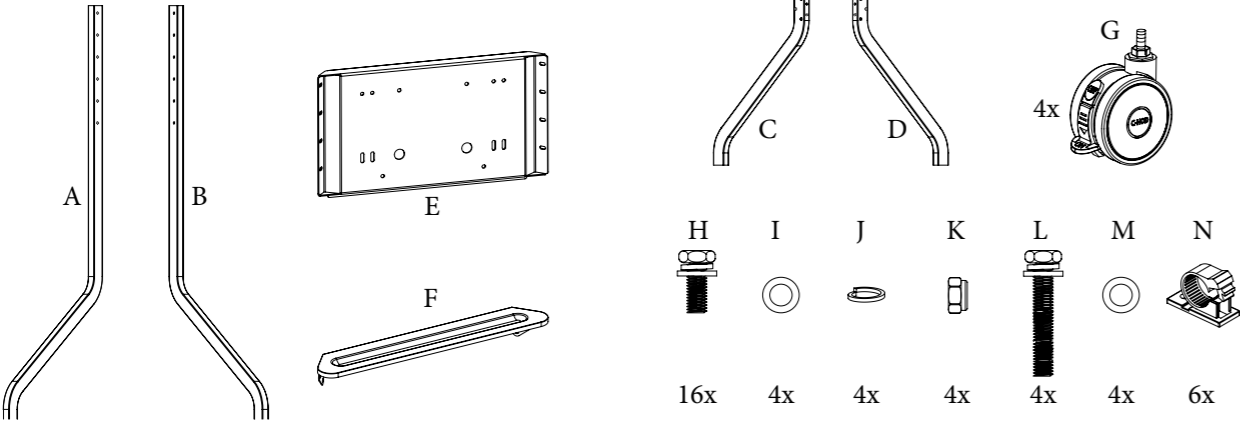
- 1x Power cord EU/EN/US (2m)
- 1x Audio cable (3m)
- 1x Active Pen
- 1x HDMI 2.0 cable (3m)
- 1x Remote control
- 1x Wall mount
- 1x USB-C cable (3m)
- 1x USB cable (5m)

Is something missing or does it look damaged?

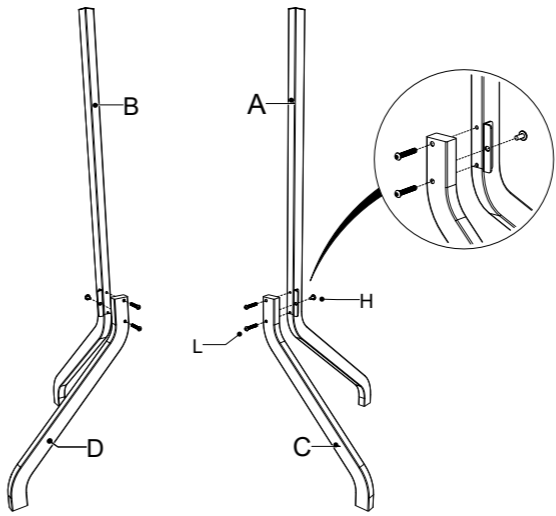
We're so sorry, please contact our support service on service@i3-technologies.com, or contact your local reseller.

Installation process.

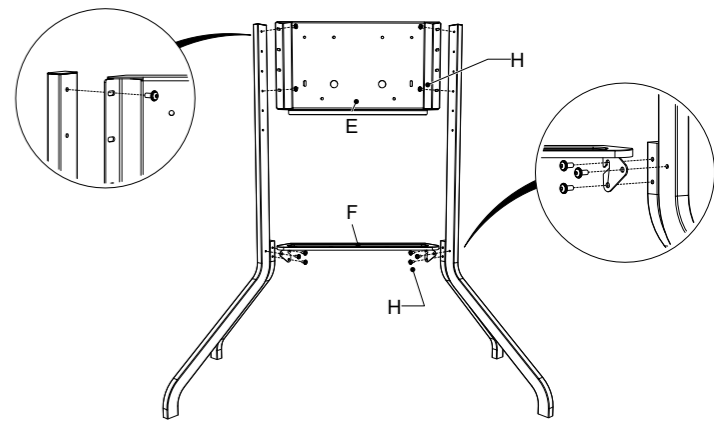
This installation manual covers the instructions of the i3SIXTY Pro Package.



1



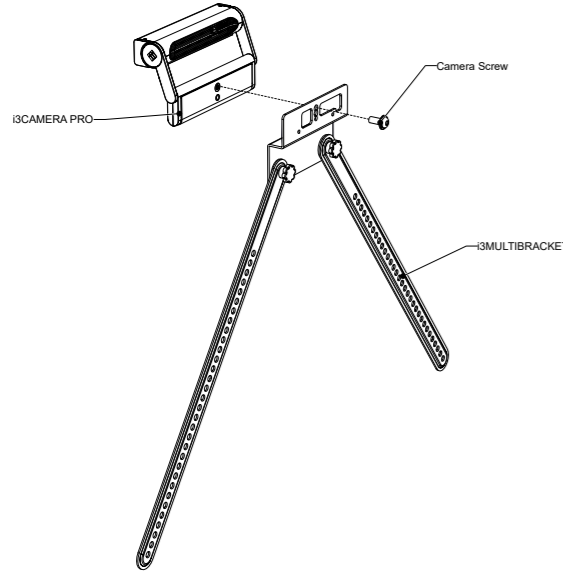
2



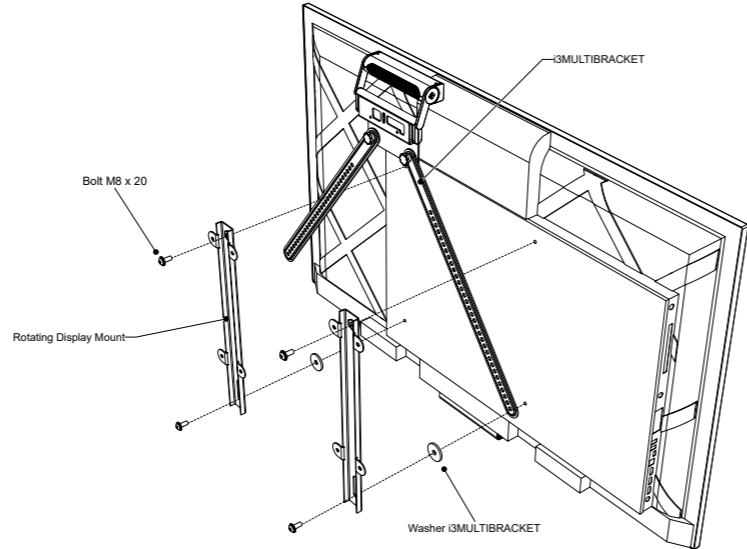
Installation process.

This installation manuals covers the instructions of the i3SIXTY Pro Package.

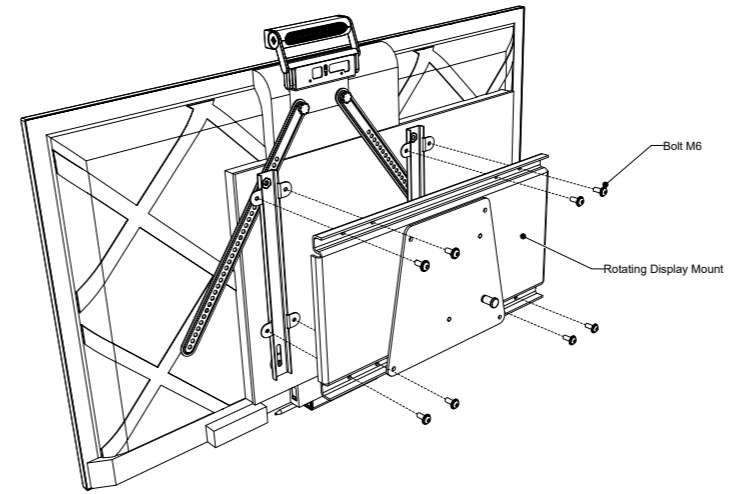
3



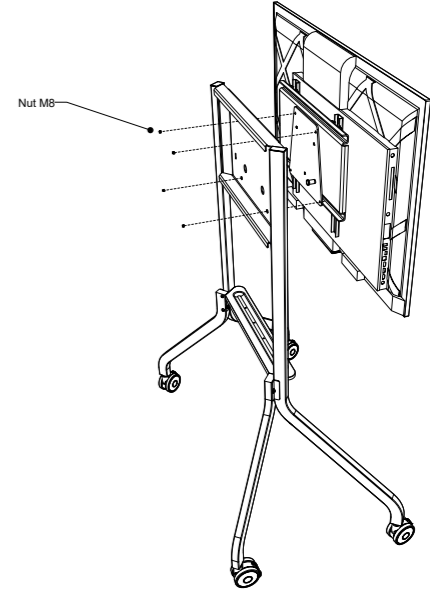
4



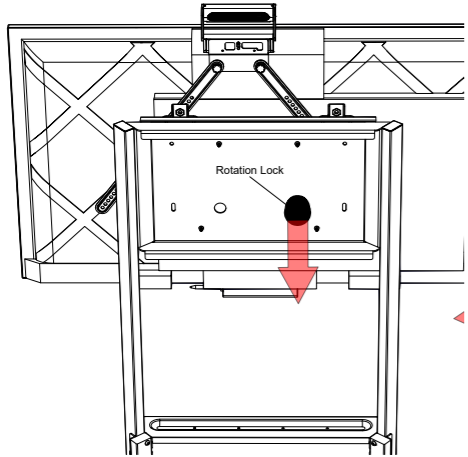
5



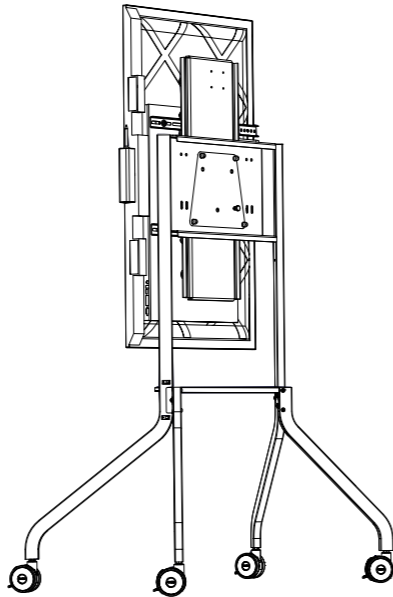
6



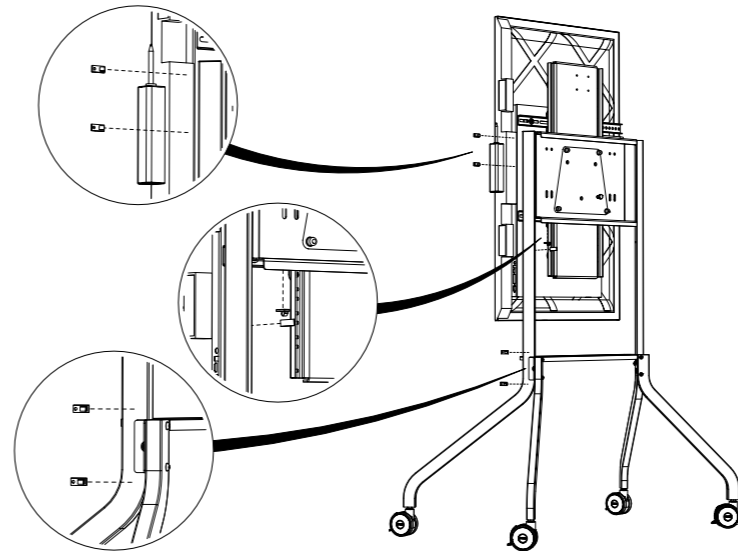
7



8



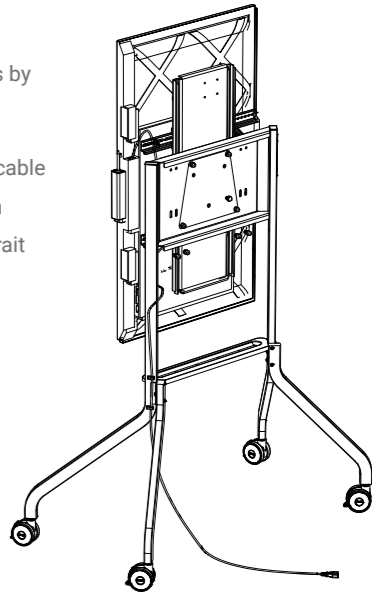
9



10

Test the cable loops by rotating the display.

Make sure that the cable stays secure in both landscape and portrait orientation.



Time to set things up.

Use your favourite applications during meetings.



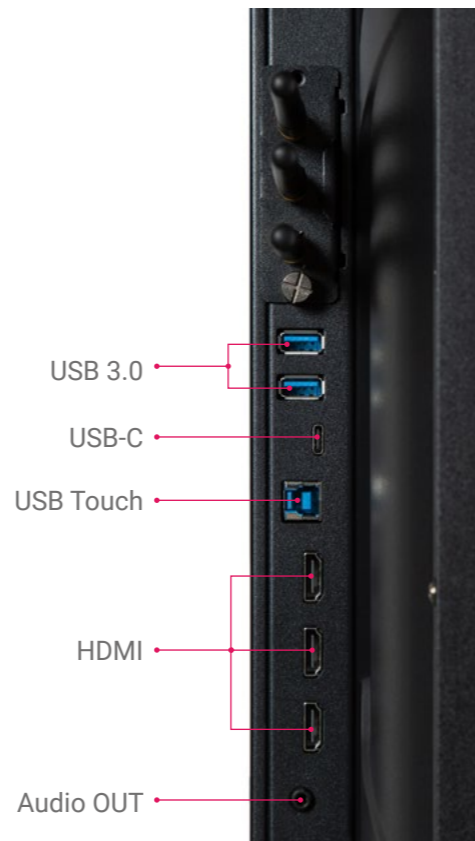
Connect the to the power socket located at the side of the display, near the tip of the pen.



Once you've got the power cable connected **switch on the power supply** by turning the button to the "1" position. It's next to the power socket.



When in landscape, on the **back right side** you'll find the power button.



The Charge Station.

The Pen Charge station is located at the bottom of the screen when it's in landscape orientation, or at the right side in portrait. Just put the pen in and it will automatically start charging.

No batteries needed

Thanks to the rechargeable nature of the pen, you'll never have to worry about changing a battery again.

Smooth, pressure sensitive writing

The passive pen has a soft tip for smooth and pressure-free writing.



BIZ, EDU or Whiteboard Studio.

The i3SIXTY PRO is available with a BIZ, EDU or Whiteboard Studio, bringing ease of use and simplicity to your desired workspace. You can choose which studio you want to use at first boot or through the settings menu.



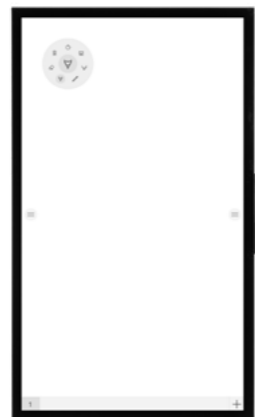
BIZ STUDIO

The BIZ studio equips the display with a stylish background and extends the user interface with an **extra configurable button**.



EDU STUDIO

The EDU studio equips the display with a colorful, fun background and extends the user interface with an **extra button for i3LEARNHUB**.



Whiteboard STUDIO

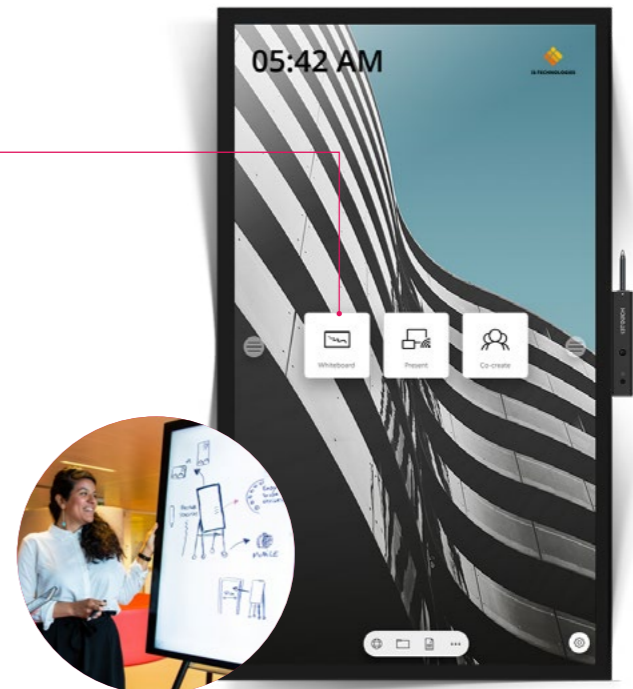
If you opt for the Whiteboard STUDIO, the display will immediately start up with the **whiteboard** application open and ready to go.

Start whiteboarding.

The whiteboard button opens an interactive whiteboard that allows you to take notes, make drawings or facilitate workshops. The output can be shared very easily with all participants.

WHITEBOARD

1. Tap the whiteboard button.
2. Start writing in the active tab.
3. Activate the writing options by tapping the eraser.

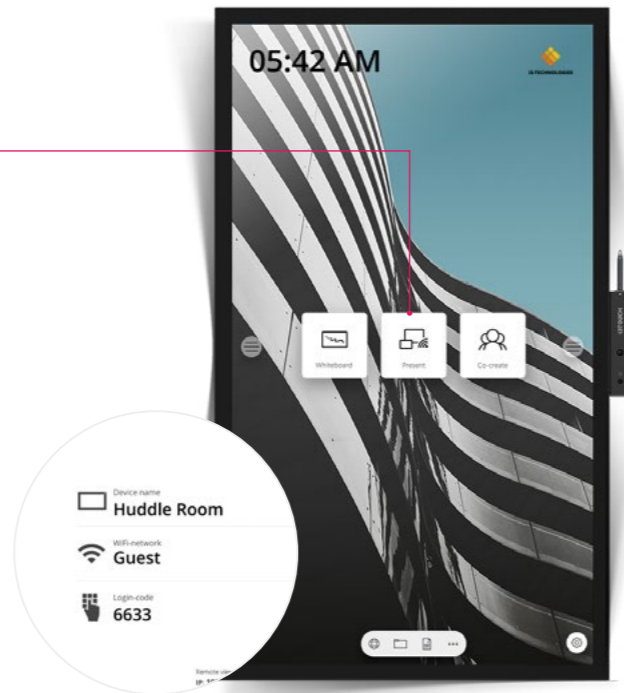


Start presenting.

Content from other devices can be streamed to the display with a push of a button.
Also source switching to another input channel is just a click away.

PRESENT

1. Tap the present button.
2. Choose your platform of choice.
3. Follow the setup guide on screen.



Important warranty information

Our I3SIXTY PRO devices are equipped by default with a 5 year warranty. If you however have acquired the interactive display for educational purposes, this warranty can be extended.

WARRANTY EXTENSION FOR SCHOOLS

You can register your product for an extended warranty if you are an educational institution.
If you are a corporate institution, please contact your reseller.

Please note that the warranty extension must be registered **within 30 days** after delivery of the i3 product through the form found on this page:

i3-technologies.com/en/get-support/warranty/



i3-TECHNOLOGIES