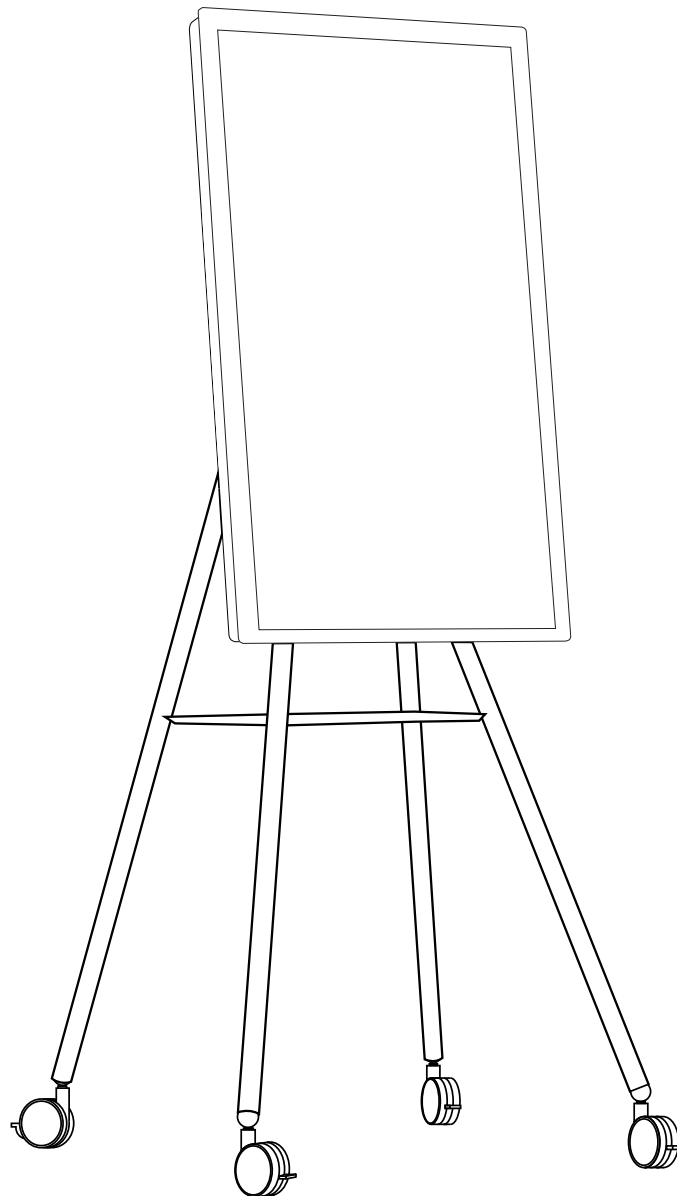




i3-TECHNOLOGIES

iBSIXTY Mobile Stand **F43-C**

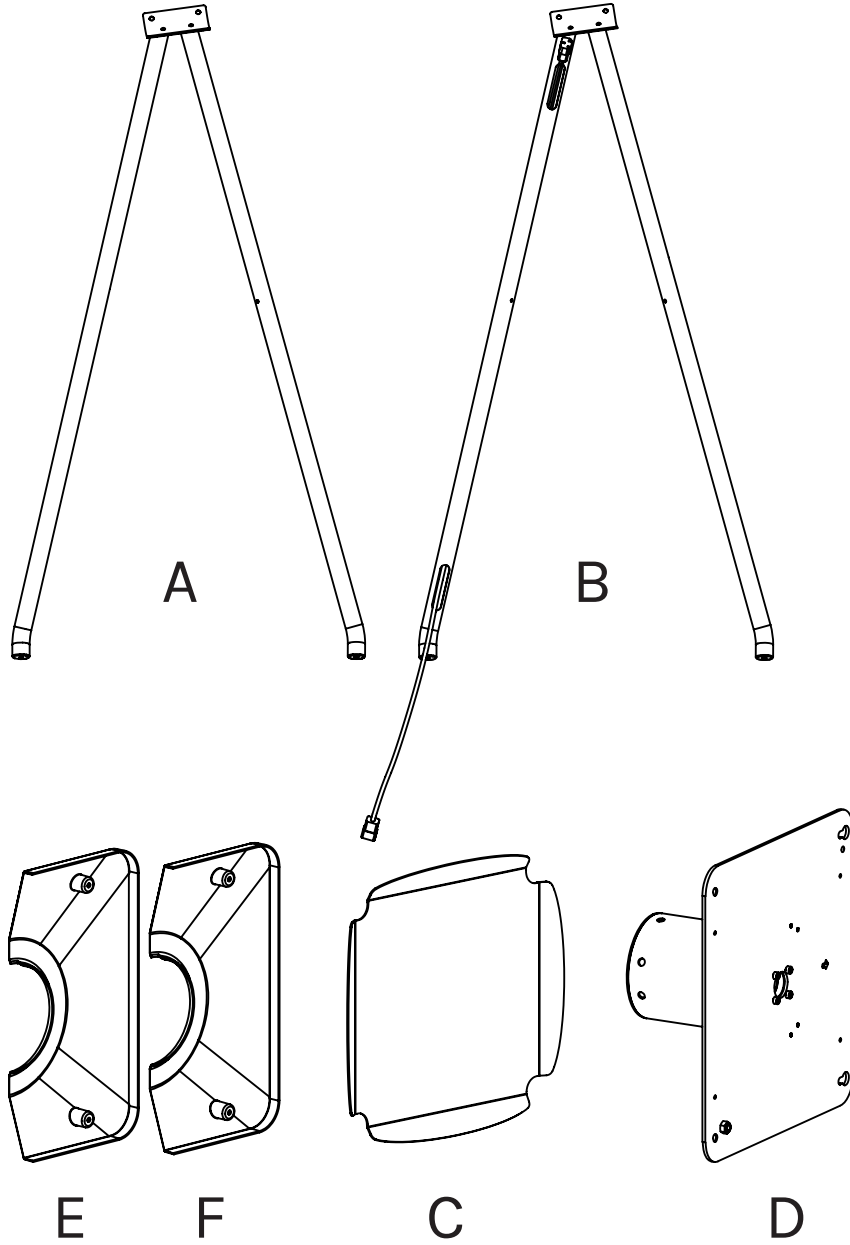
INSTALLATION MANUAL

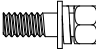
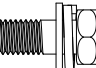
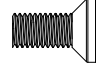
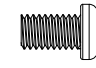
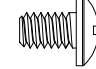
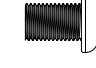
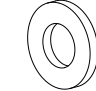
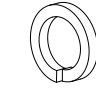
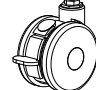
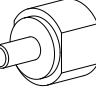



20190724

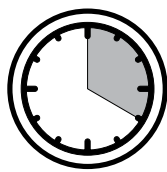
⚠ IMPORTANT SAFETY WARNINGS

1. When noticing damage to the power cable, immediately disconnect the power cable from the wall outlet, and notify your i3 support contact.
!!! Do not use the device with noticable damage to the power cables.
2. Only mount the i3SIXTY Display on the i3SIXTY F43-C Mobile Stand. Do not attempt to mount other devices.
3. Do not position the i3SIXTY F43-C Mobile Stand to be used on an inclining floor, not even with the wheel brakes locked.
The wheel brakes are not designed for this purpose.
4. Do not stand on the laptop tray, or use the Mobile Stand for any other purpose than specified in the usage instructions.
5. During assembly, do not rotate the display without first fully finishing the instructions. Do not rotate while any screw is still unfastened.

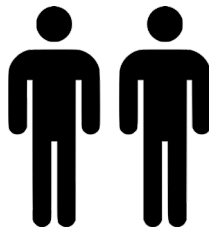


- 4x **1**  Hex Bolt M6 x 15 mm
Cross/Hex head
- 8x **2**  Hex Bolt M8 x 20 mm
Cross/Hex head
- 2x **3**  Tapered Bolt M8 x 14 mm
Cross head
- 2x **4**  Round Bolt M8 x 14 mm
Cross head
- 8x **5**  Round Bolt M5 x 8 mm
Cross head
- 4x **6**  Round Bolt M4 x 12 mm
Cross head
- 4x **7**  Washer M10
- 4x **8**  Split Lock Washer M10
- 4x **9**  Caster Wheels
- 4x **10**  Spacer Bolts
- 2x **11**  Cable Clips

Required:

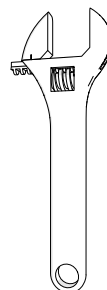


20 minutes

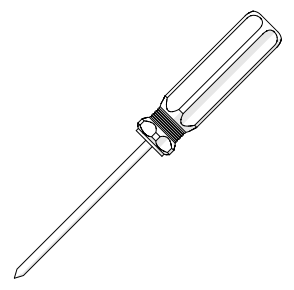


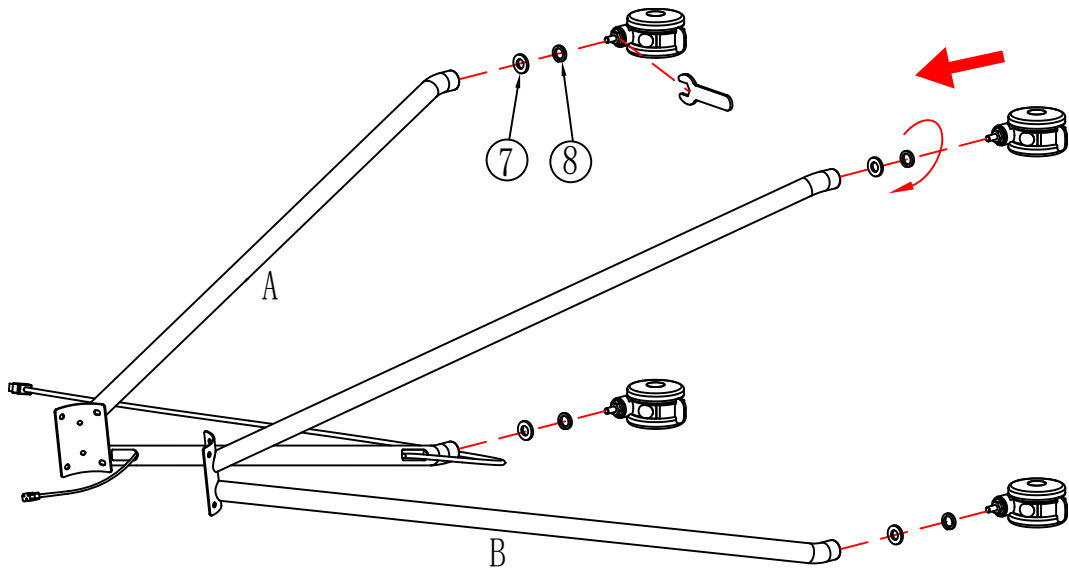
2 people

Wrench
19



Screw Driver
philips



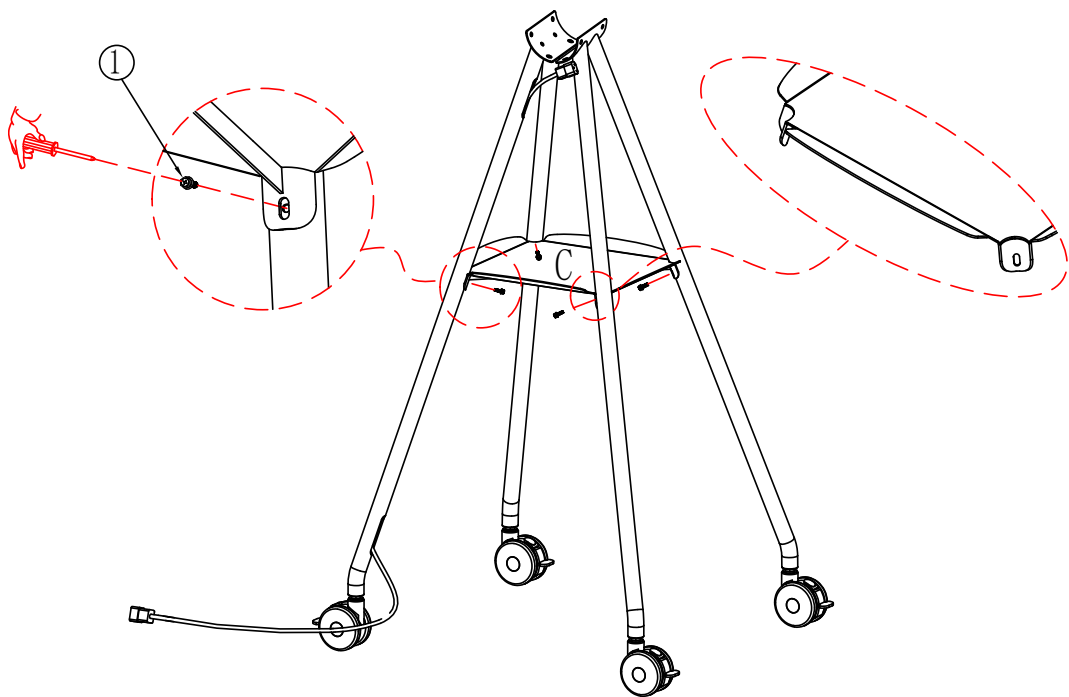


Assemble the 4 wheels to each of the 4 legs.

Make sure that the brakes are locked throughout the entire assembly process.

Screw in the threaded bolt into the bottom of the leg, through the washers (7 and 8).

Tightly fasten the wheels using a #19 wrench.

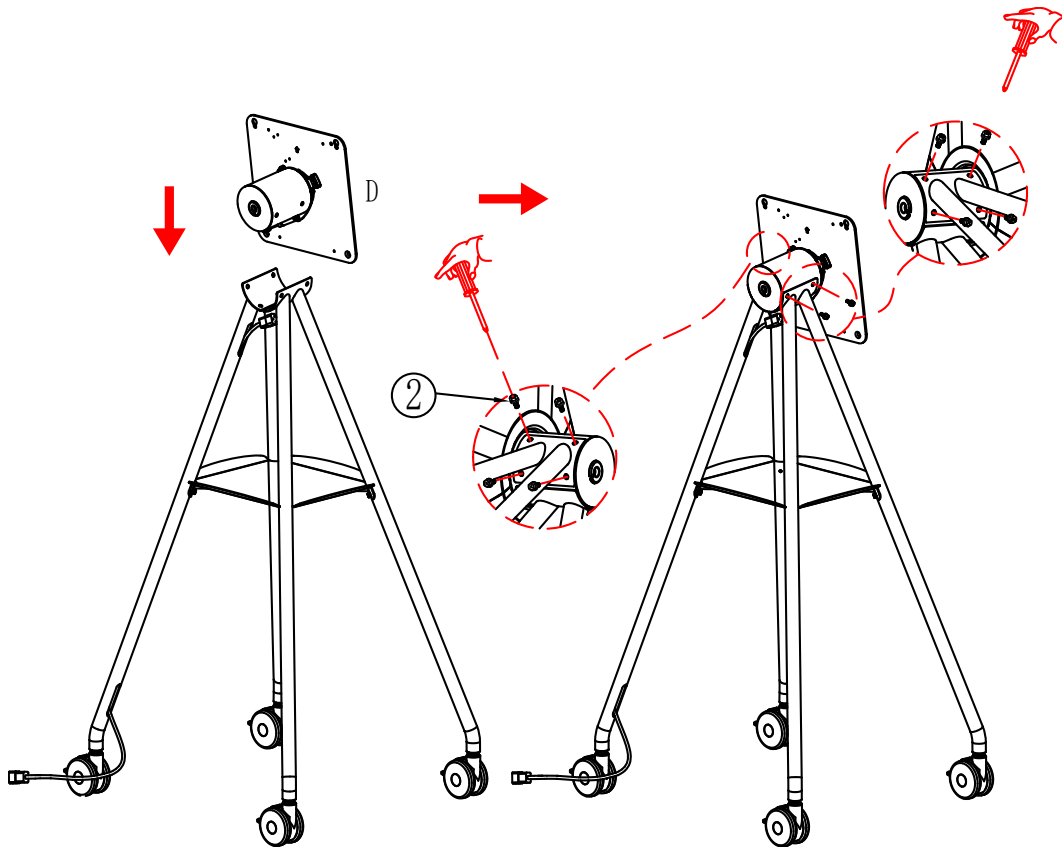


Assemble the legs (A and B) and the tablet (C) together, with the M6x15 hex bolts (1).

Note that the backside of the tablet is indicated with a shorter edge.

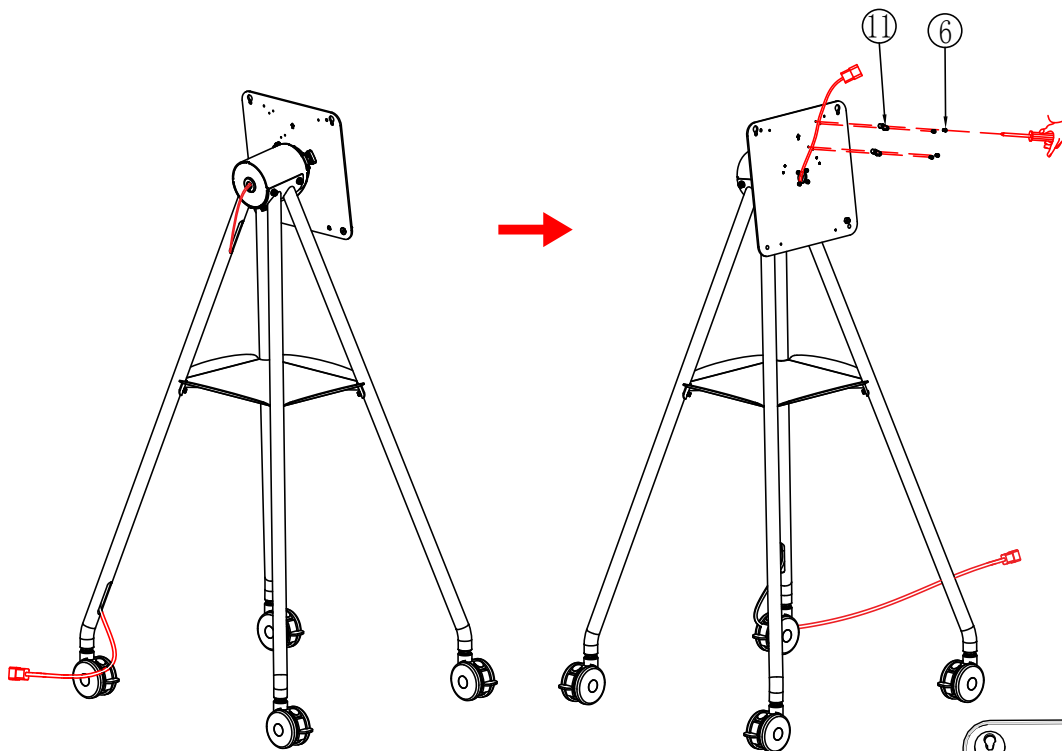
Having the wheels locked will help keep the legs positioned.

Tightly fasten the bolts with a wrench or cross screwdriver.



Mount the rotating display mount (D) to the leg assembly, with the 8x M8x20 hex bolts (2).

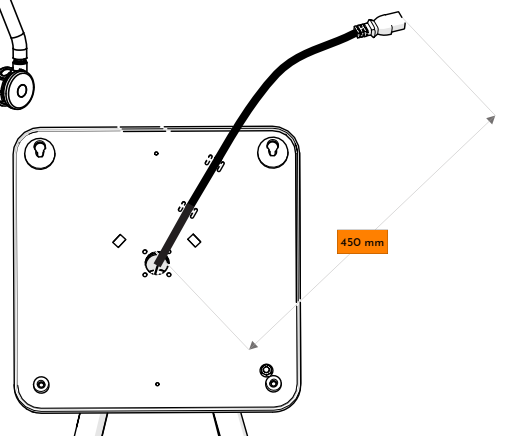
Make sure all bolts are tightly fastened with a wrench or cross screwdriver.

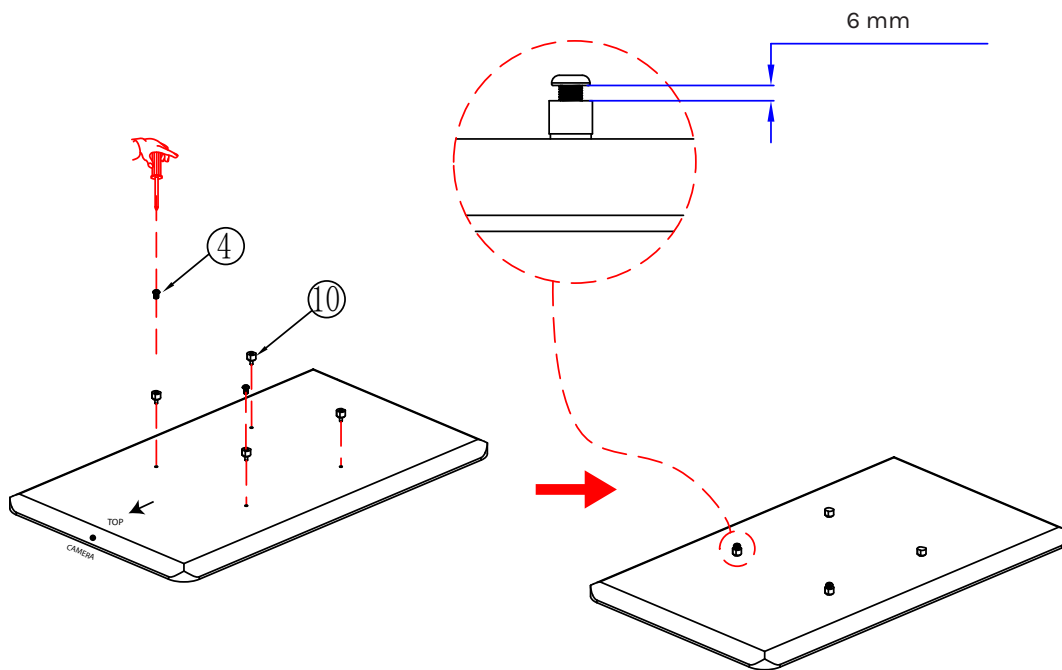


Feed the power cord through the center hole of the rotating part.

At the front of the Mobile Stand, leave 450 mm of the power cord.

Fasten the power cord with the cable clips (11) and M4x12 screws (6).



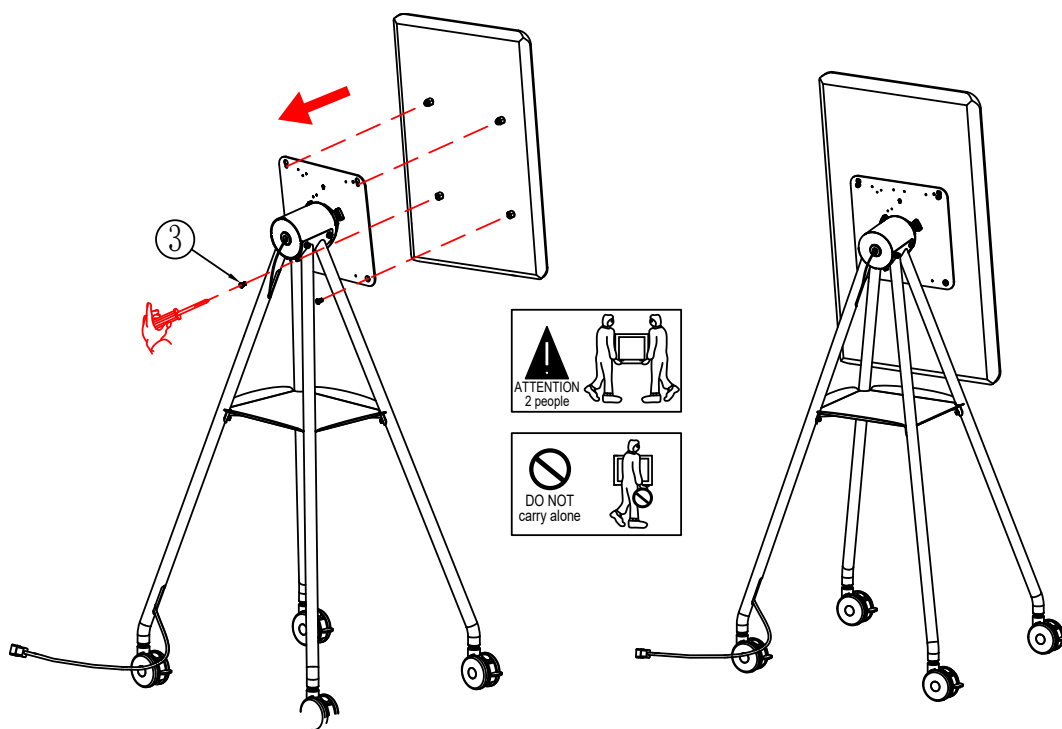


Insert the 4 spacers (10) and the top 2 mounting screws (4) into the VESA 300x300 mounting holes of the i3SIXTY display.

Note that the i3SIXTY display will be mounted in portrait orientation. Note that the position of the i3SIXTY's camera is the top

Don't screw in the bottom screws yet.

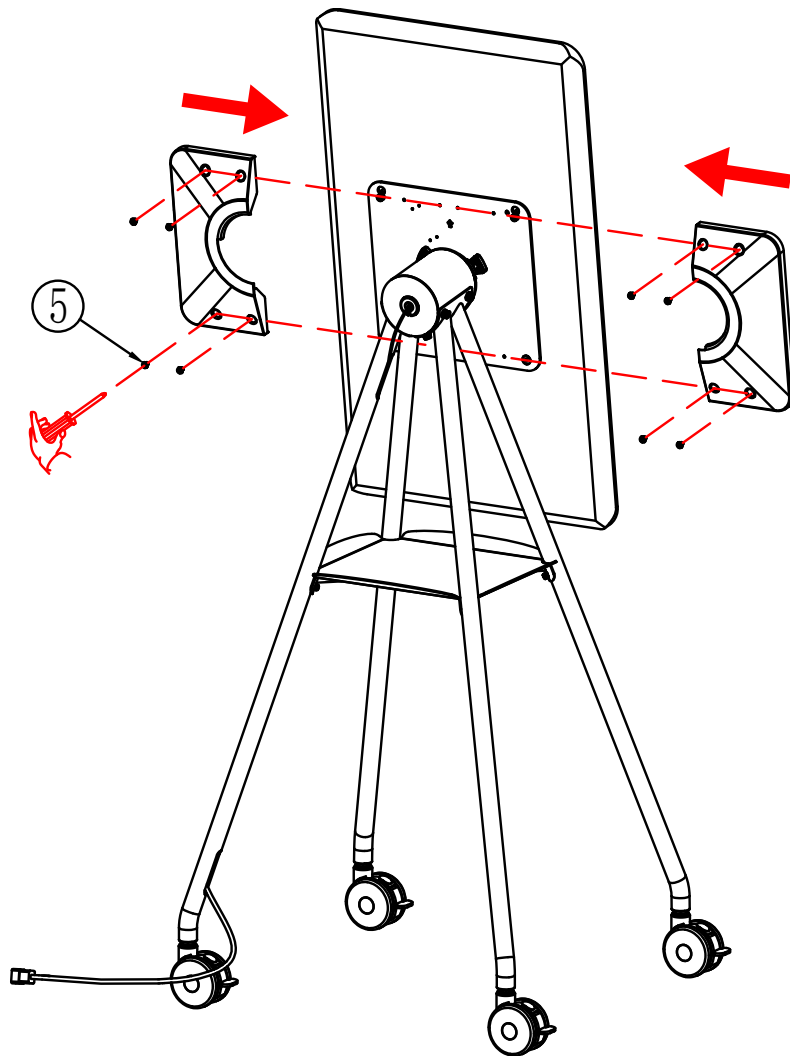
Leave the top screws at least 6 mm unscrewed.



WARNING: DO NOT ROTATE THE DISPLAY WITHOUT FULLY ASSEMBLING THIS STEP.

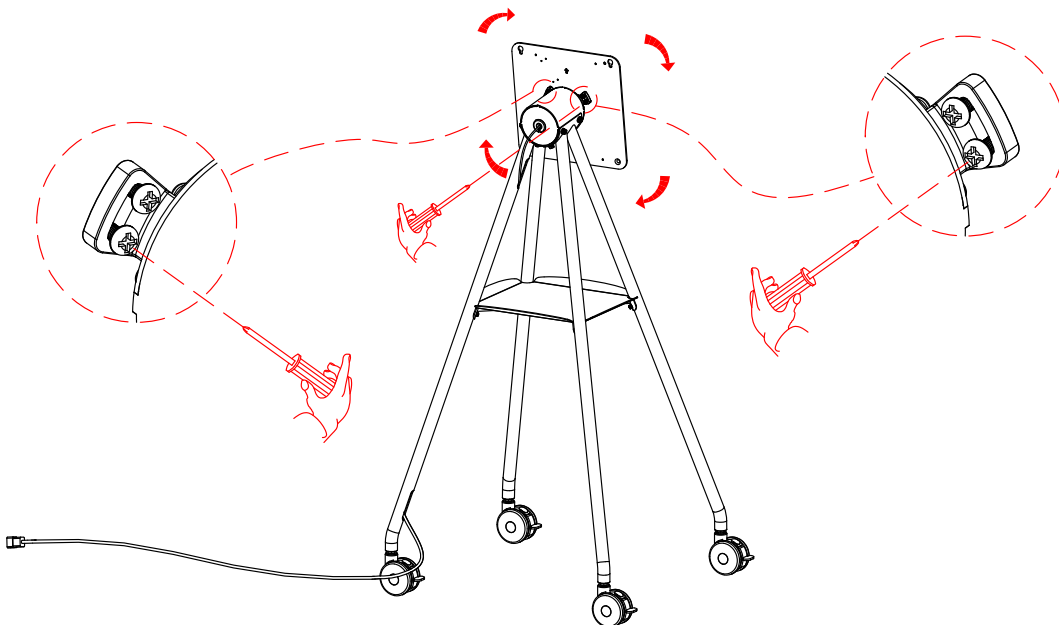
Hang the display with the top screws into the top keyholes of the Mobile Stand.

Screw in the bottom 2 screws (3) into the lower VESA 300x300 mounting holes of the display.



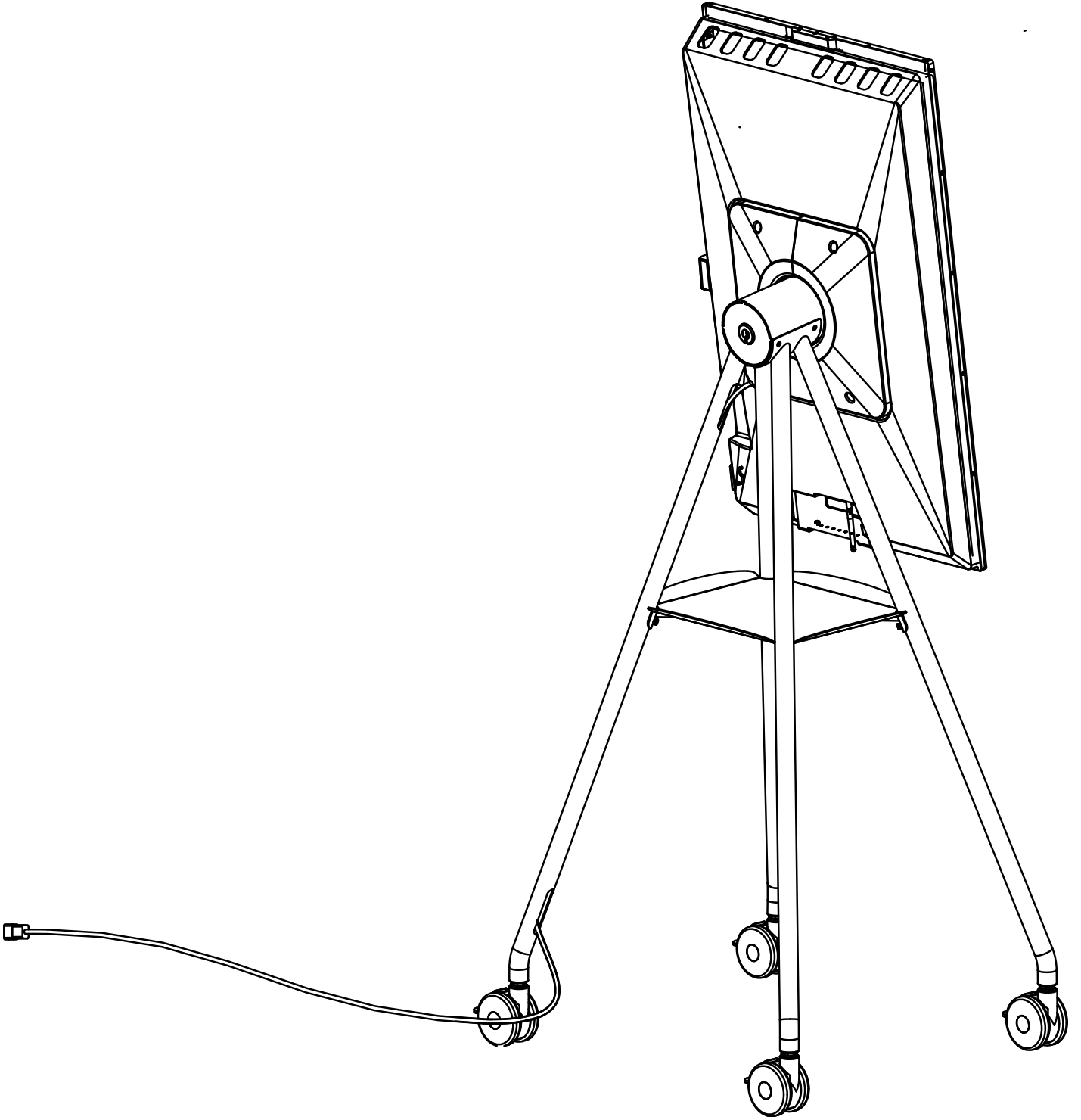
Assemble the 2 back covers (E & F) behind the mounting plate.

Fasten the covers with 8 screws (5).



OPTIONAL:

If the display over- or under-rotates (eg doesn't finish the rotation perfectly horizontal or vertical), you can adjust the stopping points of the rotation with the 4 screws located on the mounting plate.





i3-TECHNOLOGIES

WWW.I3-TECHNOLOGIES.COM

INFO@I3-TECHNOLOGIES.COM