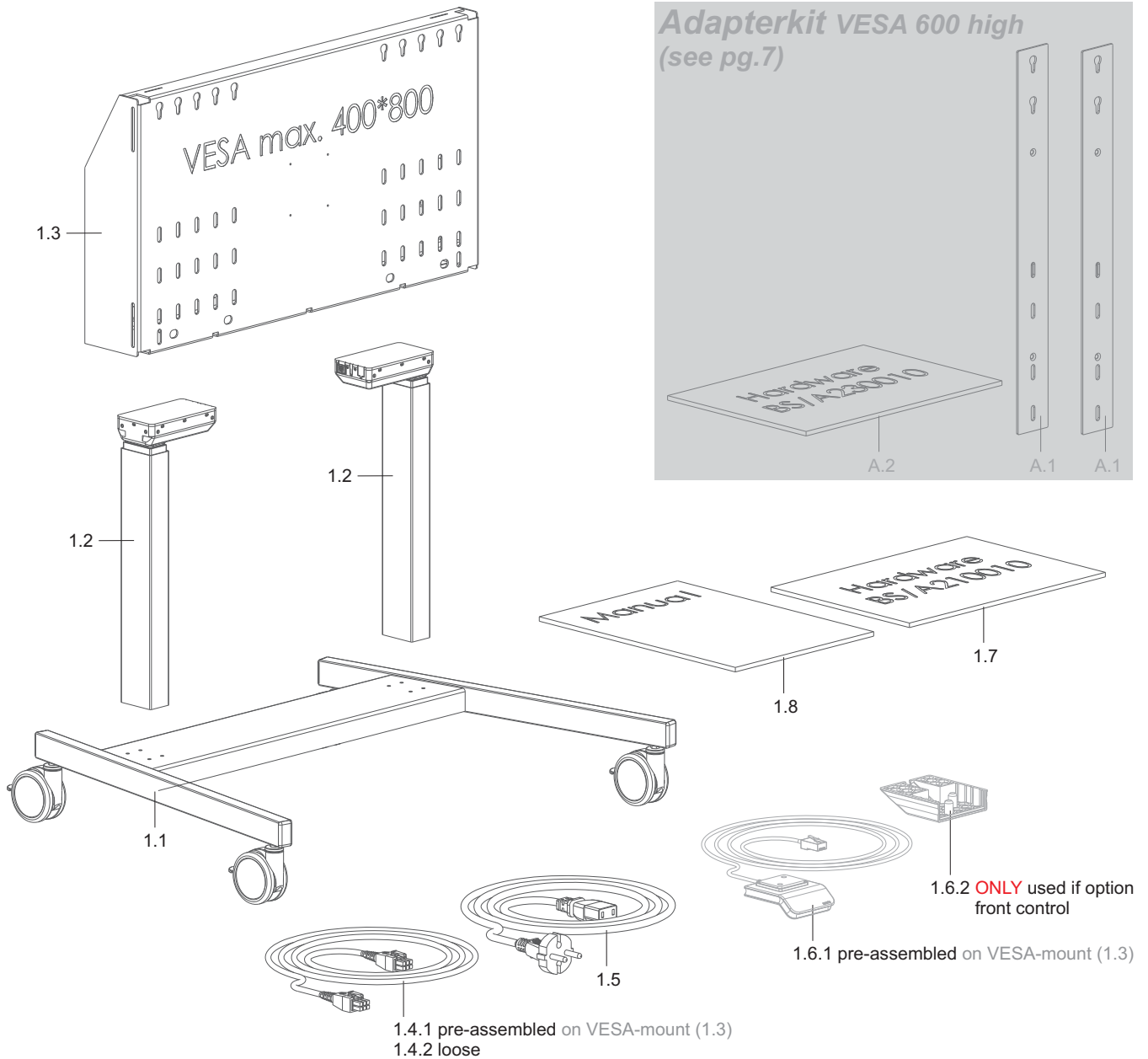


LYFT MOBILE

(max. 86 inch / 120 kg)



1. BASIC KIT



1.7 hardware (BS/A210010)

- | | | | | | |
|-----------------------|---|---------|---------------------------|---|--------|
| - screw M6*16 (1.7.1) |  | 16 each | - set screw M8*30 (1.7.4) |  | 2 each |
| - U-spacer (1.7.2) |  | 4 each | - nut M8 (1.7.5) |  | 2 each |
| - screw M8*30 (1.7.3) |  | 2 each | | | |

IMPORTANT SAFETY INFORMATION

Thoroughly read the safety instructions below before starting the installation. Failure of reading, understanding and following all instructions can result in serious personal injury, equipment damage, or voiding factory warranty. This product has been tested and certified on multiple strict safety standards, but which do not cover improper handling and/or installation of the device.

Make sure that all installers, users, and operators of the height adjustable trolley are thoroughly informed about the safety instructions and warnings. Do not throw away this manual, but keep it for further reference to instruct future users and operators about the important safety instructions.

INSTALLATION WARNINGS

The assembly and installation should only be executed by qualified technicians.

ELECTRICAL SAFETY

1. Only connect this device to a grounded power outlet of the specified rating: 230V-AC 50Hz.
2. Apply safety measurements to the power cable, to prevent damage to the electrical components.
3. When noticing physical damage to the power cable, unplug the device immediately and replace the power cable.
4. Before relocating the product, always disconnect the device from the power outlet.
5. Do not place the product near any water sources that might spill onto the device.

MECHANICAL SAFETY

6. Do not assemble the device with any other custom parts than provided by the manufacturer.
7. Do not deviate from the instructions illustrated in this manual.
8. Do not exceed the load capacity of this product. Respect the maximum load specification of 120kg. Overloading may result in the unit tipping over and can result in equipment damage and/or serious injury or even death.
9. Do not use this unit for any other purpose than its intended use, as described in this document.
10. Do not attach other custom parts to it.

OPERATION WARNINGS

Make sure that all users/operators are properly informed about these warnings.

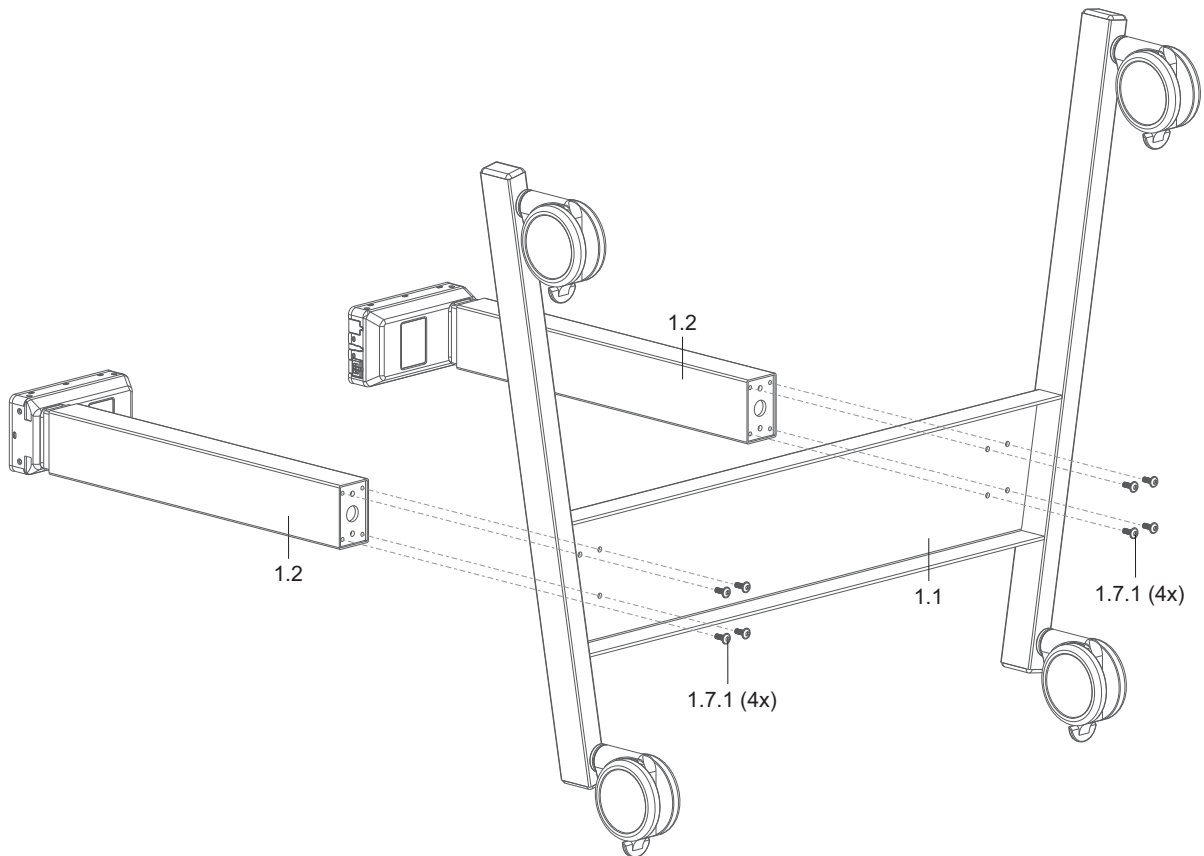
11. Do not use this unit for other purposes than its intended use, as described in this document.
12. Don't attach custom parts to it.
13. Do not position the trolley on sloped or uneven surfaces or near balconies, ledges, stairs, platforms, steps, etc...
14. Lock the wheel brakes while in operation, after relocating the unit.
15. Always move the trolley with the display in lowest position.
16. When raising and lowering the height adjustable lift, always make sure that there are no obstructions or collisions.
17. Do not place object beneath the unit.

EU DECLARATION OF CONFORMITY

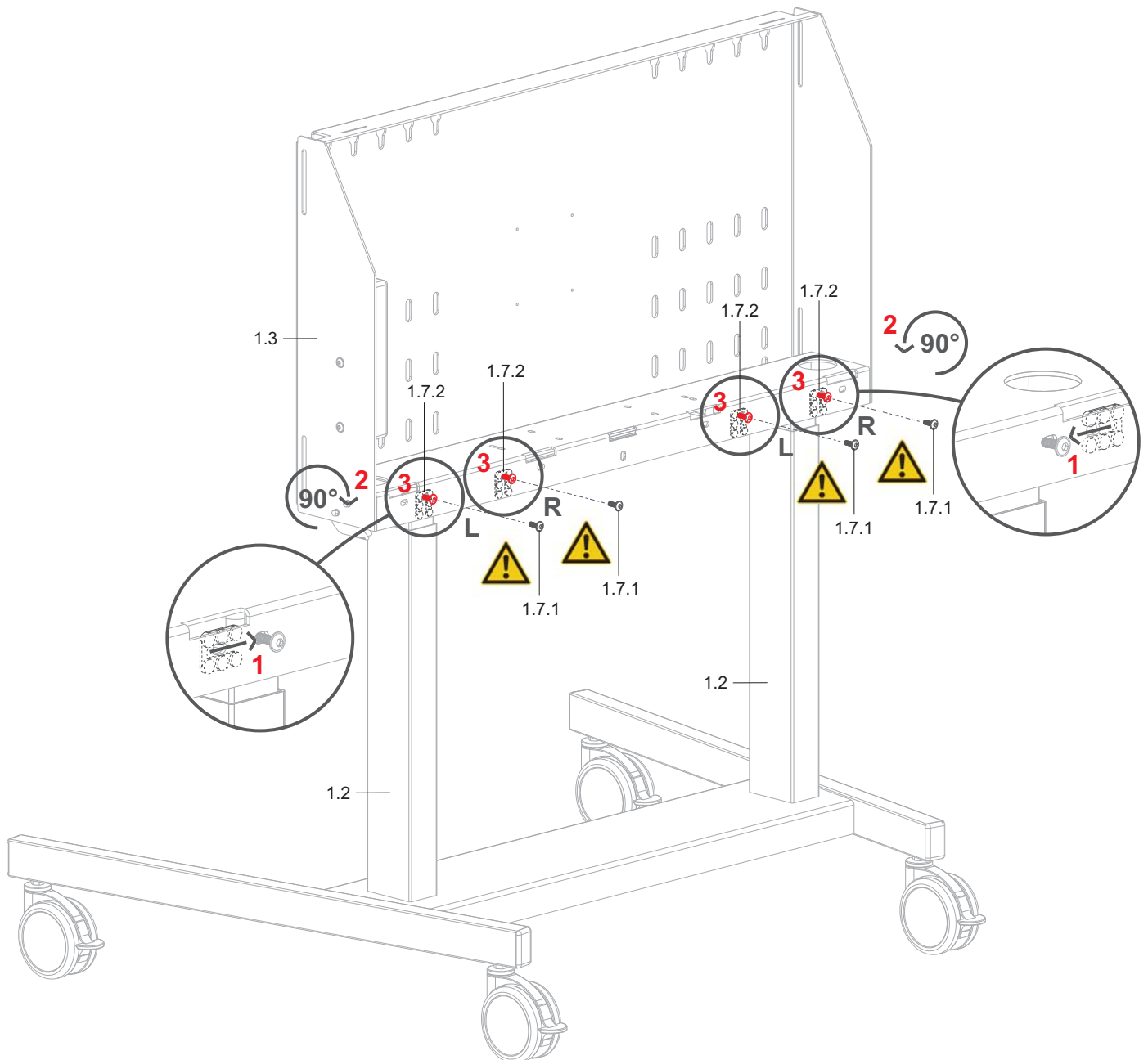


i3-Technologies N.V. declares that this product is in compliance with the essential requirements and other relevant provisions of Directives 2014/30/EU, 2014/35/EU, and 2011/65/EU, where applicable. The availability of products may vary by region. For more info, contact your dealer. This device may contain commodities, technology or software subject to export laws and regulations. Diversion contrary to law is prohibited. This equipment is for indoor use only, and is not intended for use in machinery, medical or industrial applications.

Step 1



Step 2



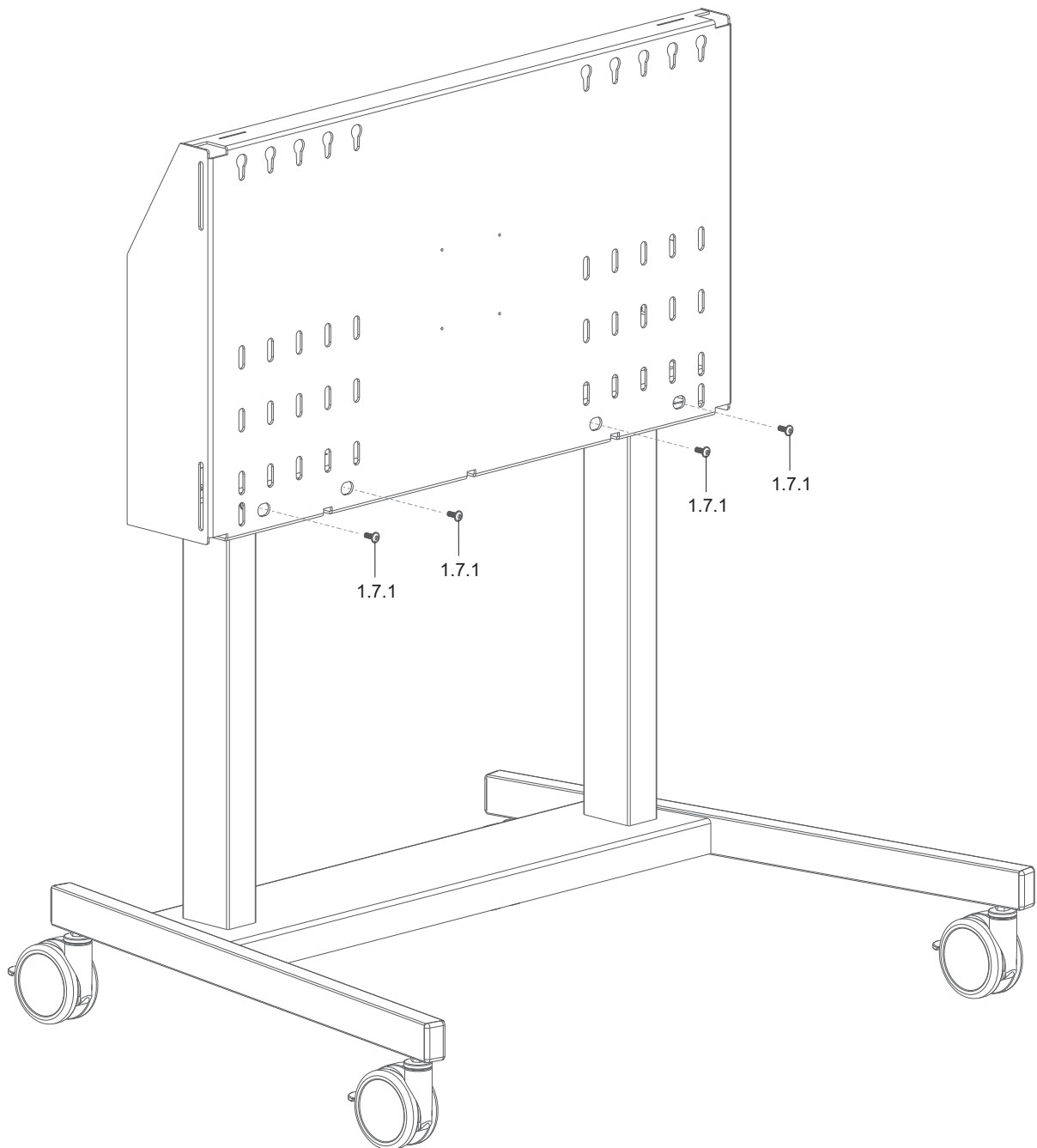
Attention !!!



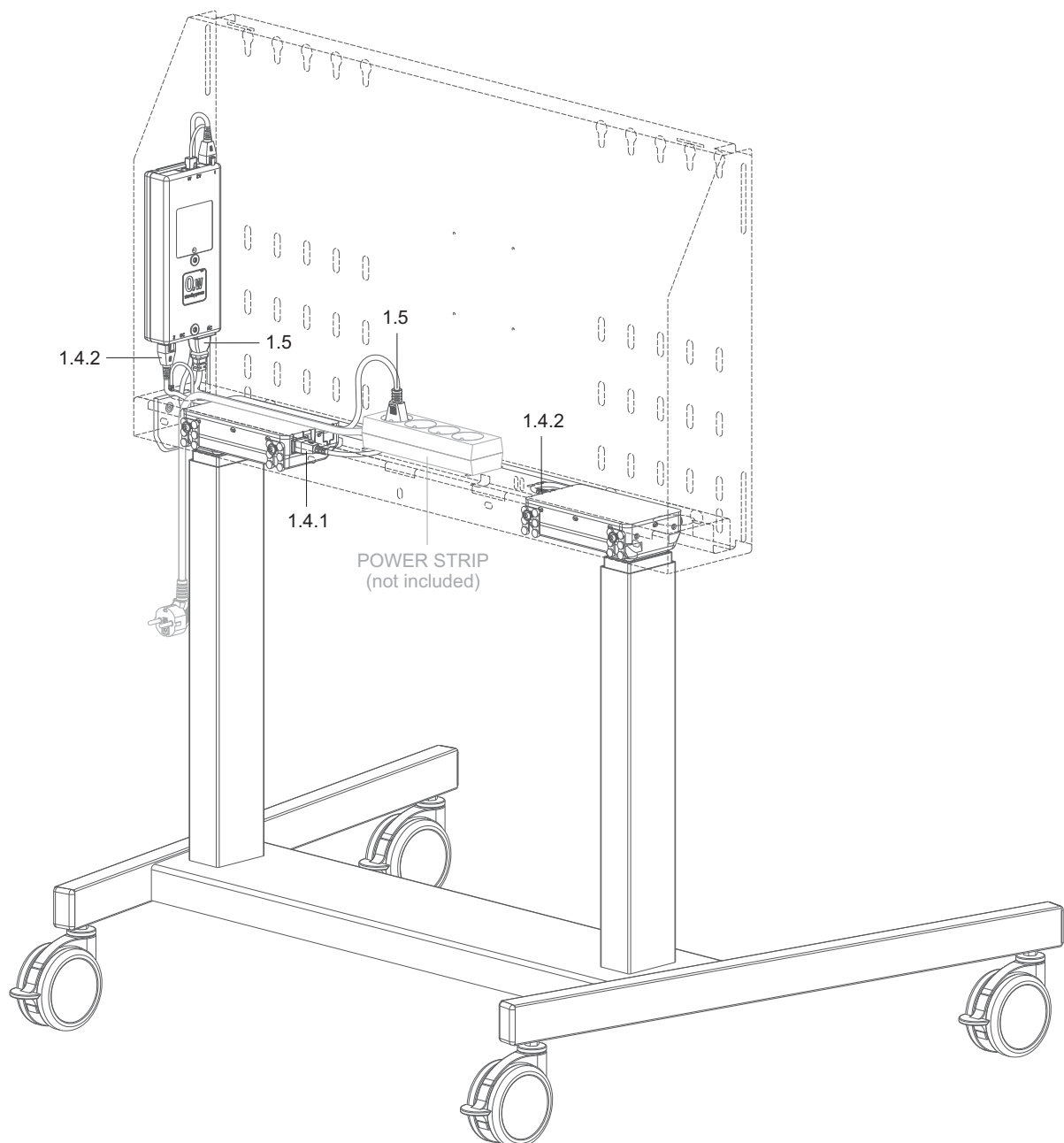
Install the VESA-mount (1.3) on the columns (1.2) and light tighten with screws (1.7.1) so that there is still a clearance between the columns (1.2) and the lower back flange of the VESA-mount (1.3) to fit the U-spacers (1.7.2).

After the U-spacers (1.7.2.) are in place (1) -> (2) tighten (3) the screws (1.7.1).

Step 3



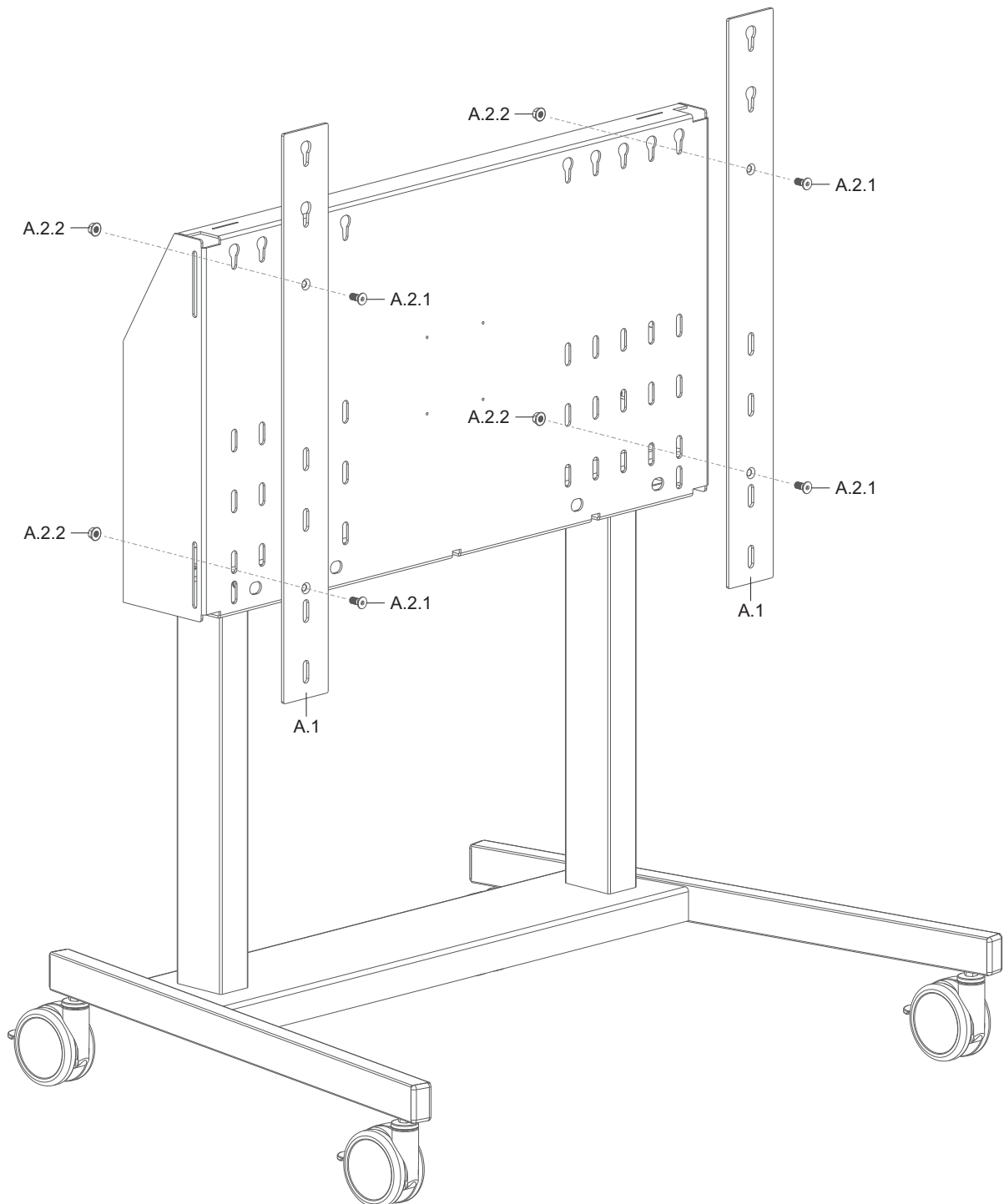
Step 4



Note !!!

If option Add-on go to the installation manual LYFT ADD-ON after this step.

Step 4 (bis)





Note !!!

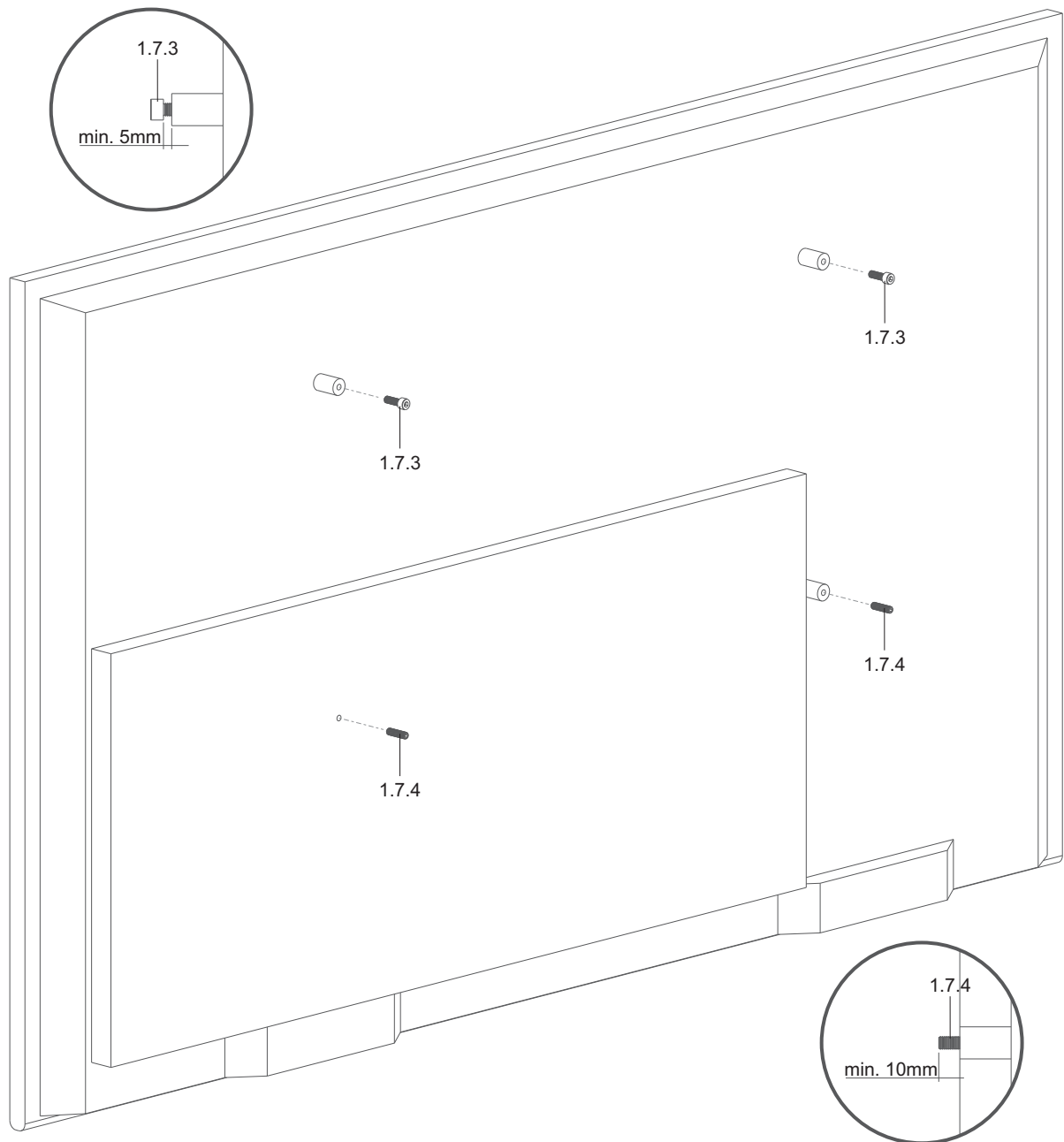
This is *ONLY* needed for VESA 600 high.

If *option Add-on* go to the installation manual LYFT ADD-ON after this step.

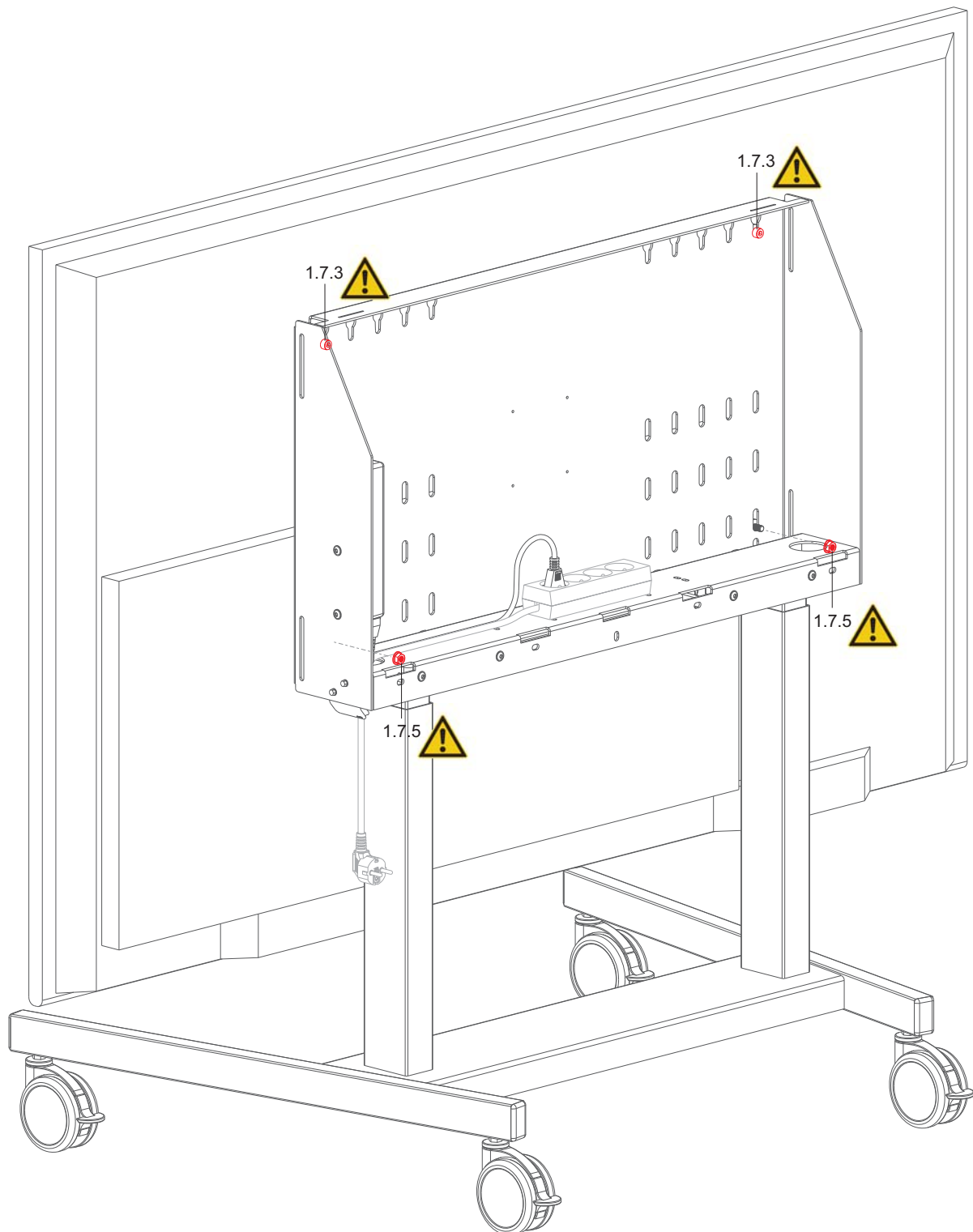
A.2 hardware (BS/A230010)

- screw M8*20 (A.2.1)  4 each
- nut M8 (A.2.2)  4 each

Step 5



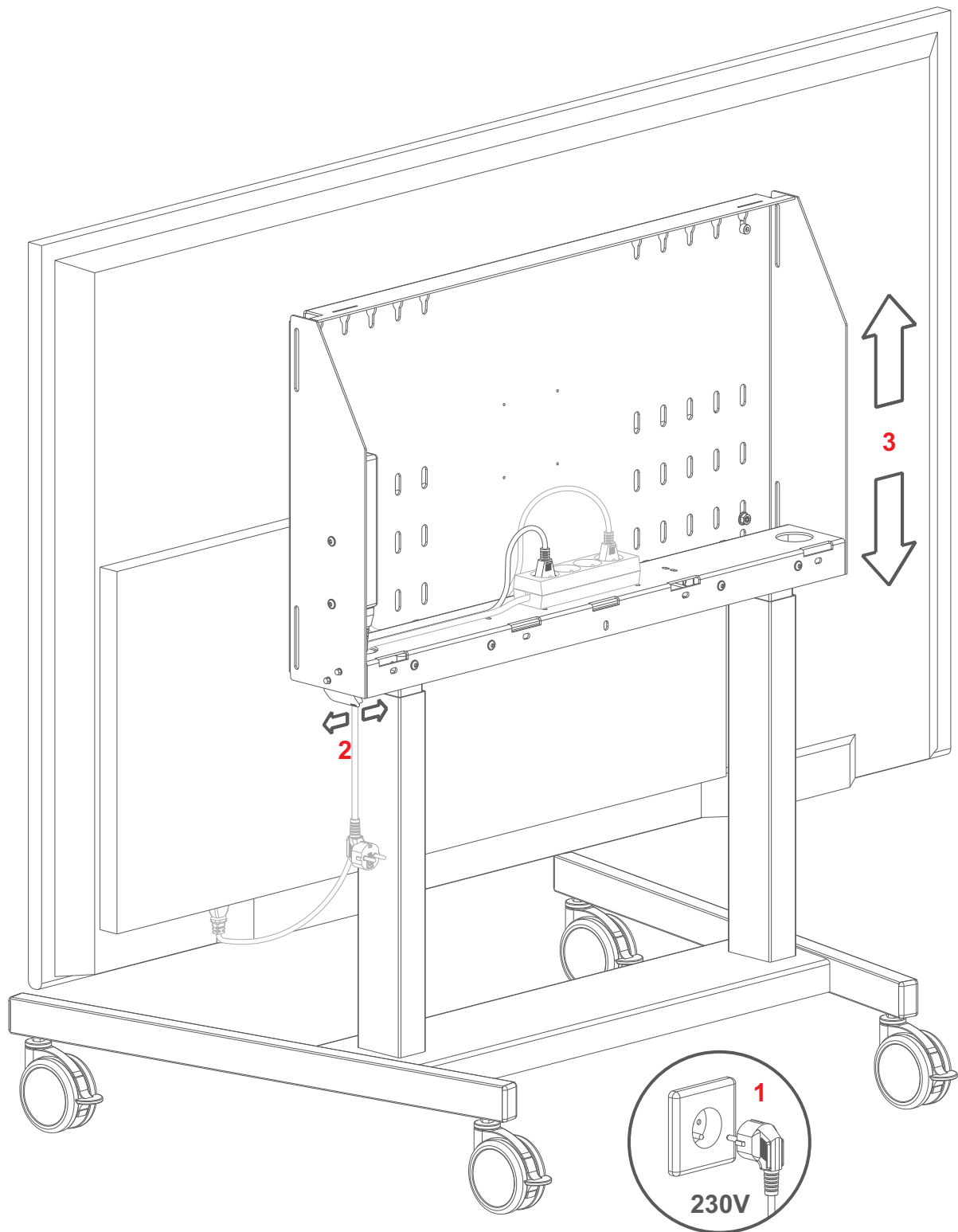
Step 6



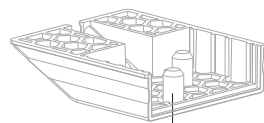
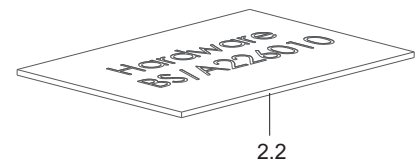
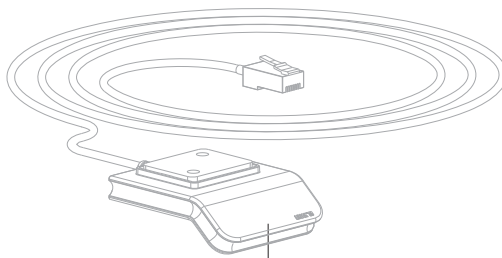
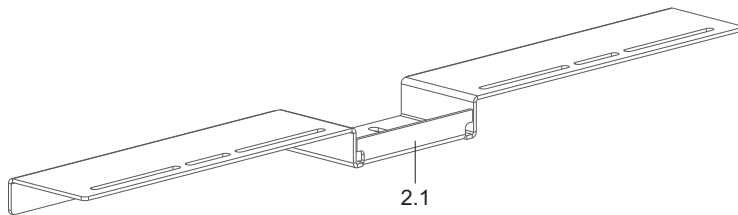
Attention !!!

 **After the Touchscreen is installed tighten the screws (1.7.3) and the nuts (1.7.5).**

Step 7



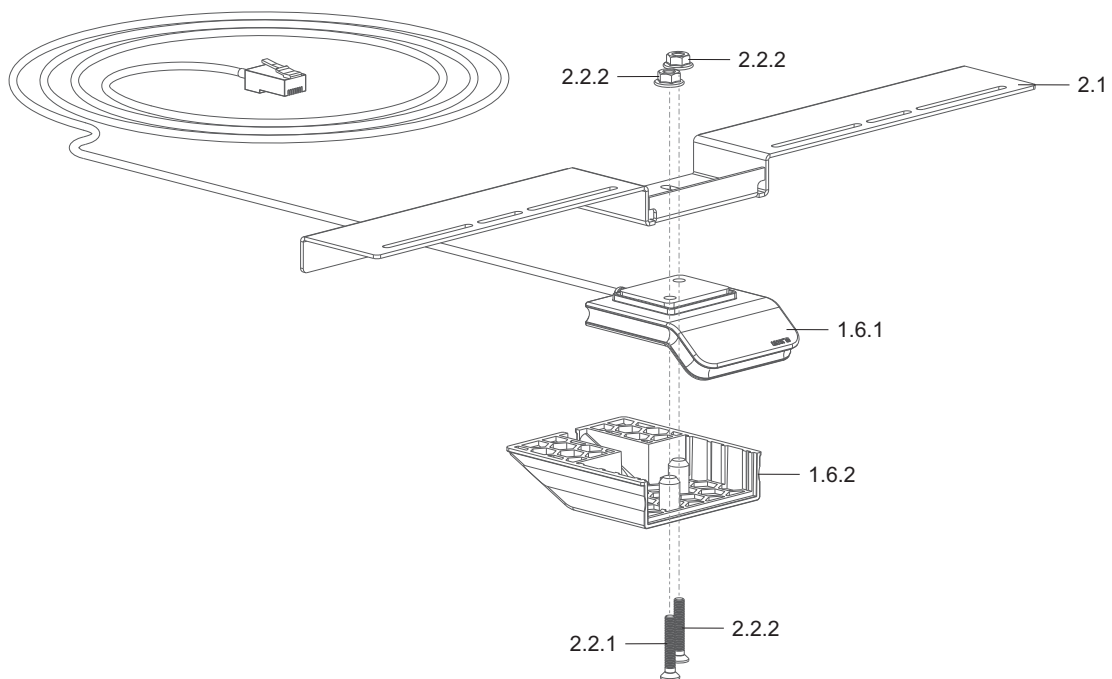
2. OPTION *FRONT CONTROL* (i3-TOUCH)



2.2 hardware (BS/A226010)

- | | | |
|-----------------------|---|--------|
| - screw M4*25 (2.2.1) |  | 2 each |
| - nut M4 (2.2.2) |  | 2 each |
| - screw M3*8 (2.2.3) |  | 2 each |

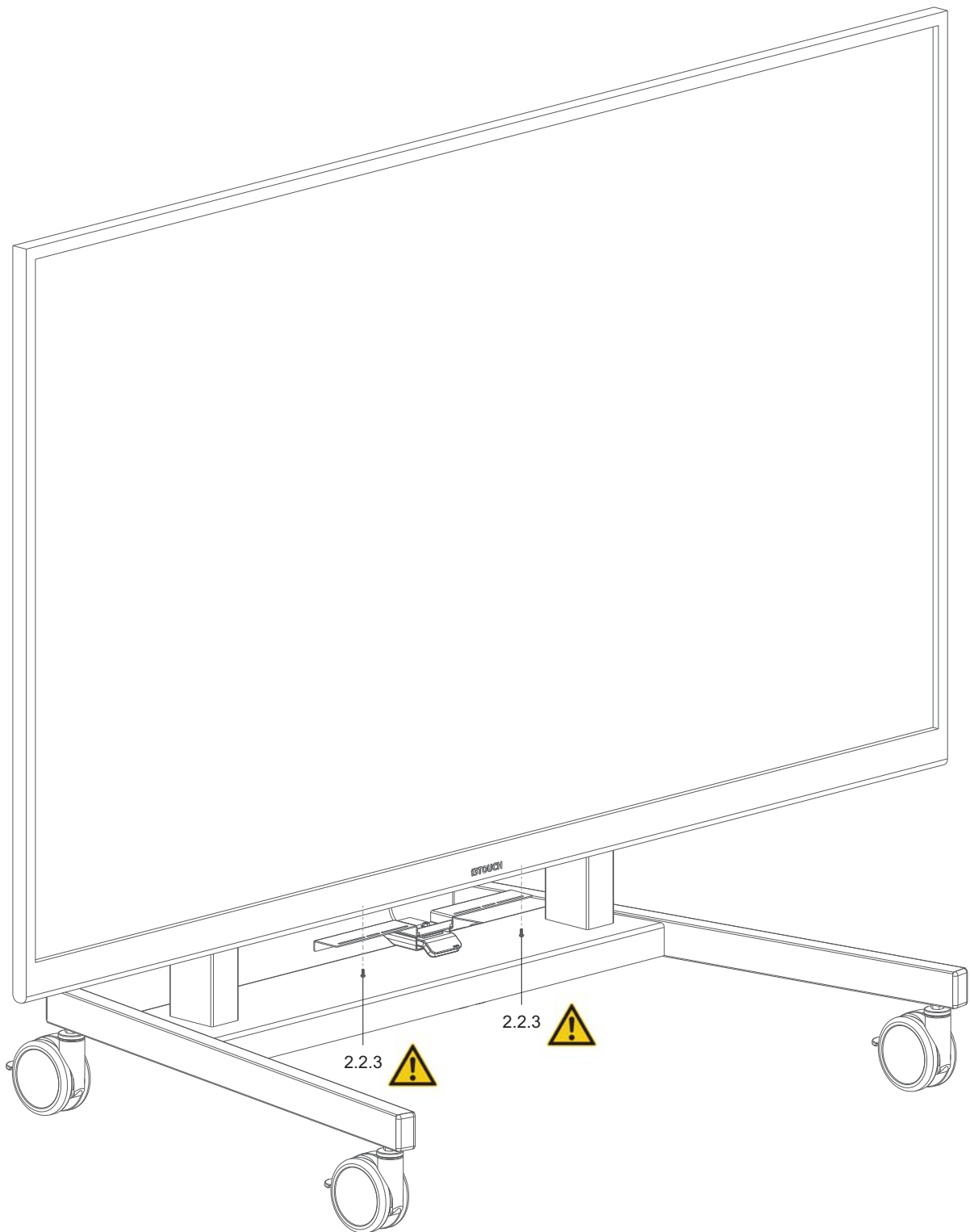
Step 1



Note !!!

BEFORE starting with step 1, shut down the system, remove the plug from the wall socket and demount / unplug the control panel (1.6.1) from the VESA-mount (1.3).

Step 2

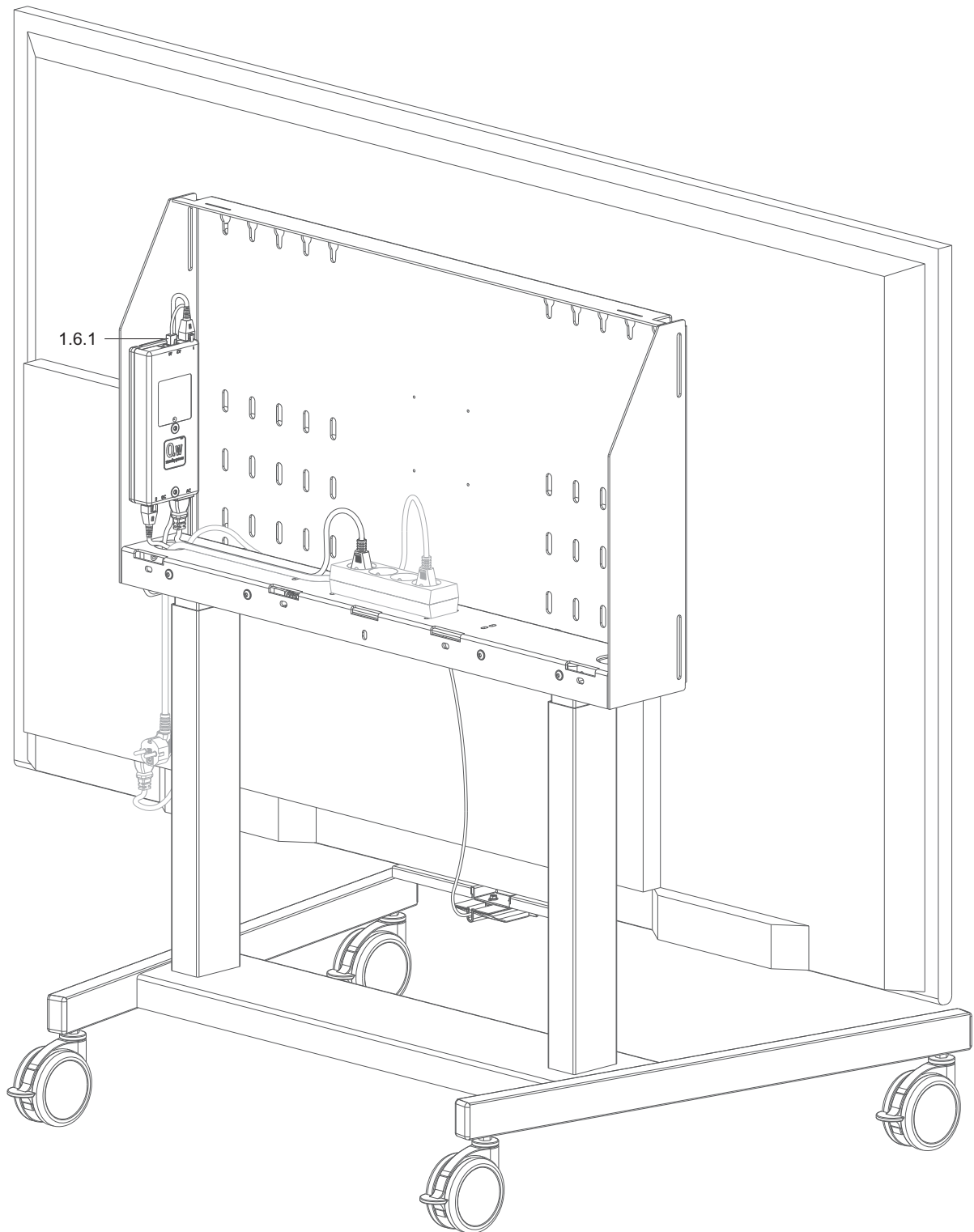


Attention !!!

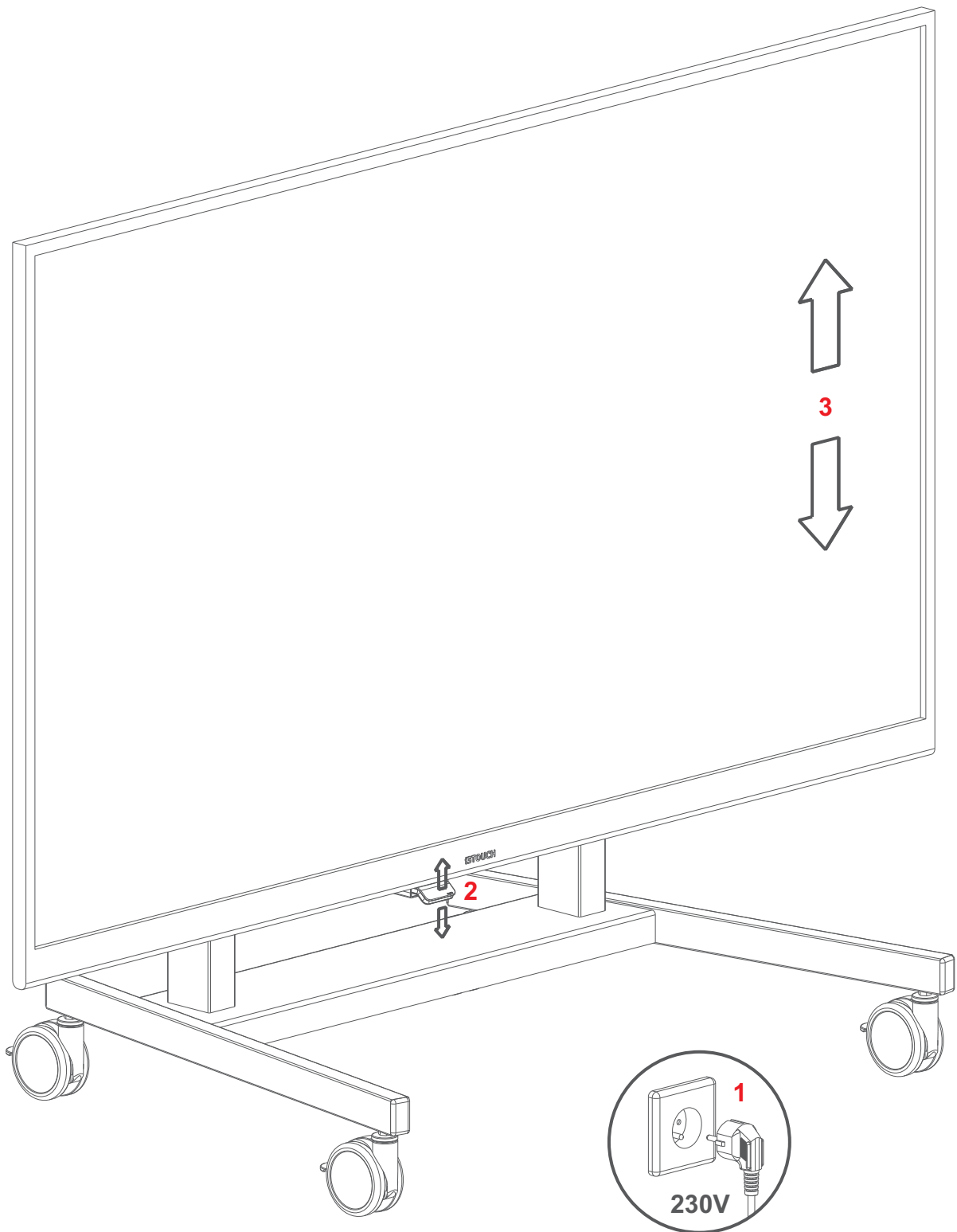


Before installing the pre-assembly front control panel, remove the existing screws and replace them with the supplied screws (2.2.3).

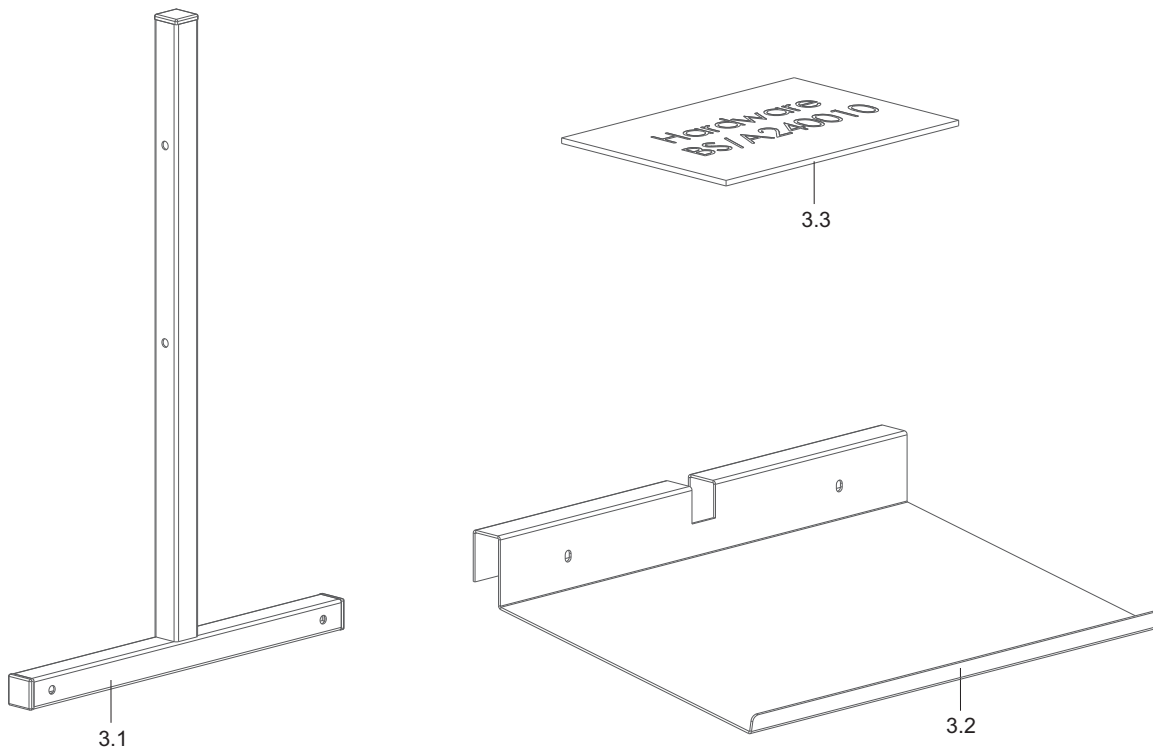
Step 3





Step 4



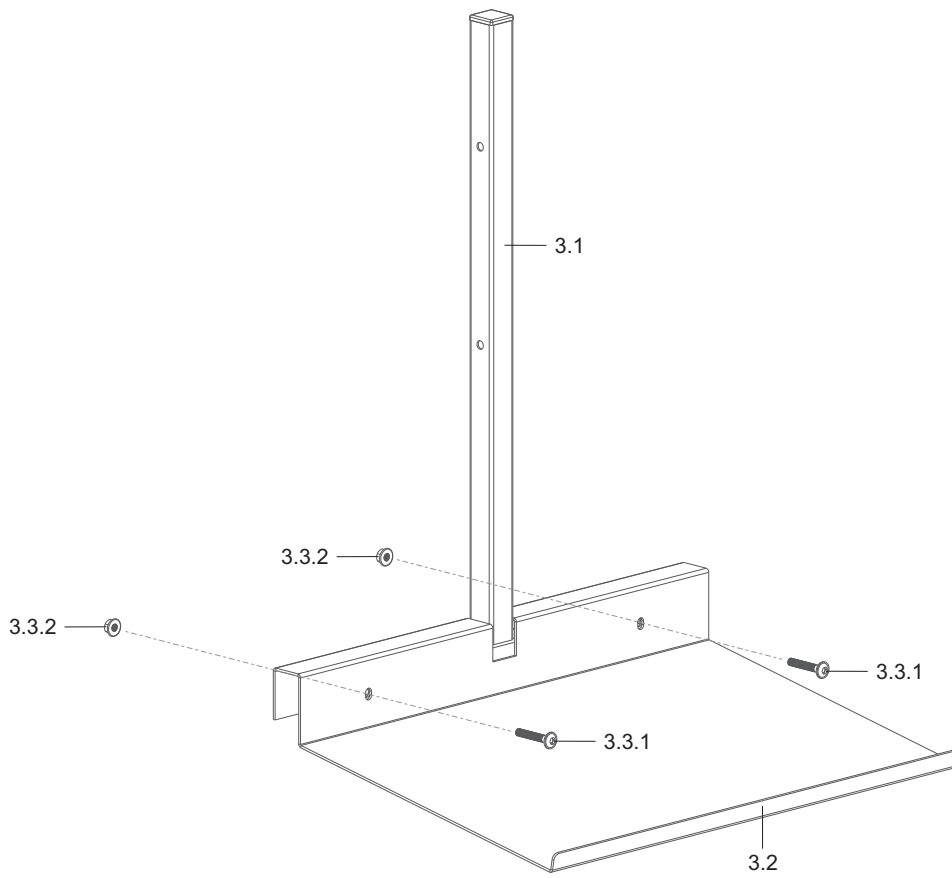
3. OPTION *SHELF* (WITHOUT ADD-ON)



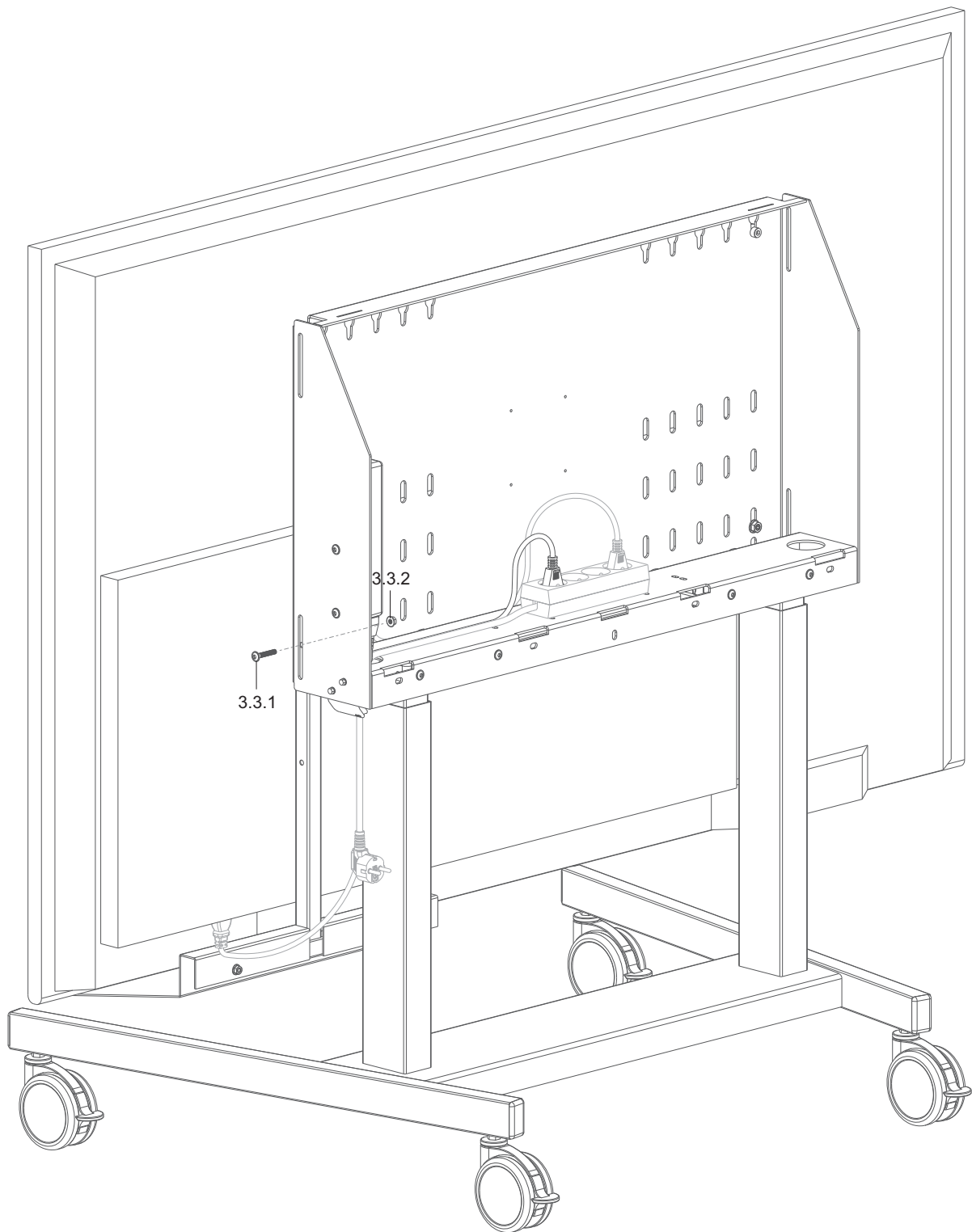
3.3 hardware (BS/A240010)

- screw M6*35 (3.3.1)  3 each
- nut M6 (3.3.2)  3 each

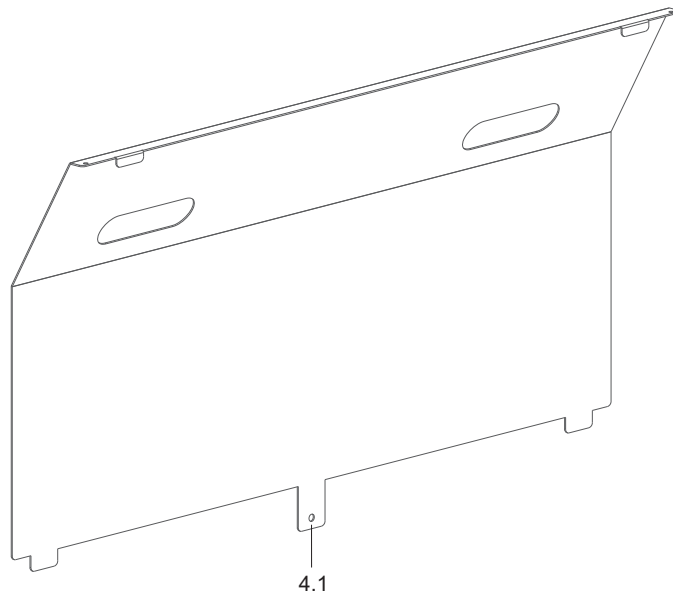
Step 1



Step 2



4. OPTION *COVER* (*ELECTRIFICATION*)



Step 1

