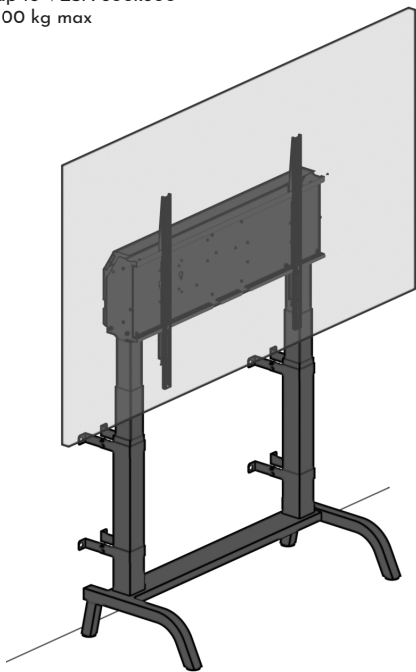


# i3LYFT-W

## HEIGHT ADJUSTABLE WALL-MOUNTED FLOORSTAND

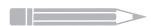


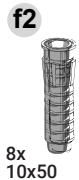
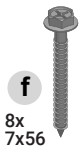
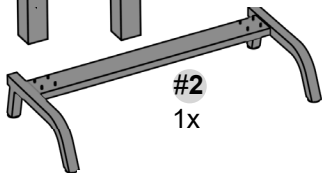
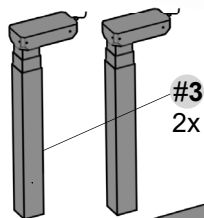
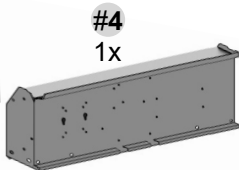
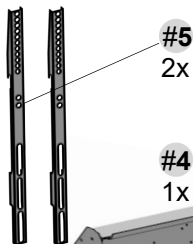
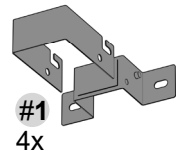
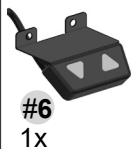
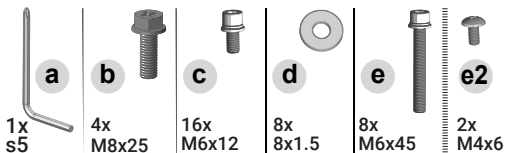
for i3TOUCH 55" - 86"  
and compatible displays  
up to VESA 800x600  
100 kg max



**i3 TECHNOLOGIES**

Concise Installation Guide  
Guía de Instalación Concisa  
رصدتخم لالتل ليل دل  
Guia de Instalação Concisa  
Guide d'Installation Concis  
Kurzanleitung zur Installation  
Kısa Kurulum Kılavuzu  
Guida all'Installazione Concisa  
Beknopte Installatiehandleiding  
Zwięzły Przewodnik Instalacyjny  
Ghid de Instalare Concis  
Rövid Telepítési Útmutató  
Stručný Instalační Průvodce  
Συνοπτικός Οδηγός Εγκατάστασης  
Kort Installation Guide  
Кратко Ръководство за Инсталиране  
Kort Installation Guide  
Ytimekäs Asennusopas  
Stručný Inštalačný Sprievodca  
Sutrupintas Įdiegimo Vadovas  
Kratek Vodnik za Namestitev  
Kompakts Instalācijas Ceļvedis  
Kokkuvõtlik Paigaldusjuhend  
Treoir Gairid ar Thaiscéaladh  
Gwida ta' Installazzjoni Konsiża





i3LYFT-W



3

## Important safety information for both installer and user:

### Installer:

- *Before starting the installation, read the safety instructions and this product manual carefully.*
- *Failure to read, thoroughly understand, and follow all instructions can result in serious personal injury and damage to equipment!*

### User:

- **Please carefully read the below safety information and user manual (if included) before using the product to ensure a failure-free working unit and avoid accidents.**

### Electrical Safety

- Connect the unit to a properly grounded outlet only. Make sure the unit can be immediately separated from the power outlet.
- If the power cable is used as circuit breaker, the socket-outlet shall be easily accessible.
- **Only use the unit in dry rooms, protect it from water and other liquids.** Clean the unit with drycloth only. Do not dismantle the lift unit.  
RISK OF ELECTRIC SHOCK. There are no serviceable parts inside.
- In case of dysfunction, unplug the unit from power outlet and wait for 2 minutes and plug it back it. If the problem persists, contact an authorized technical service person.
- Do not overuse the cable(s) or damage it in any other way. Replace damaged cable(s) immediately with new identical cable(s).
- The unit does not have dripping or splashing protection. Do not place any liquid objects on. Do not spray the unit with any liquid.
- To reduce the risk of electric shock, always unplug the power from the power outlet before cleaning.

### Mechanical Safety

- Always keep product's moving path free from obstacles.
- **Before moving the unit up or down, ensure at least 20 cm/ 7.9 inch safety distance** from any part of the unit to any other elements in order to avoid collision.
- In case of an accident, please stop operating immediately.

- Severe risk of injury when unit tips over. All 4 wall brackets need to be installed on a sturdy base wall.
- Keep fingers and other body parts away from hazardous moving parts.
- **Exceeding the weight-capacity can result in serious personal injury and/or damage to equipment.**
- **It is the installer's responsibility to make sure the total weight including accessories does not exceed the maximum load of 100 kg.**  
**Using it with heavier screens may result in instability causing tip over and resulting in death or serious injury or damage!**
- The height adjustable feature will not function properly if the total weight exceeds the given maximum load of 100kg.
- The installation, maintenance and un-installation of the product should be operated by trained professional and skilled personnel.

### **The intended use of the product:**

- The product is intended to be used for the mounting and height adjustment of passive or interactive large format display.
- The product is intended for in-door usage in classrooms, offices or meeting rooms at temperatures between 0 to 40°C (32°F to 104°F).
- Please make sure the indoor environment is dry and cool.  
Normal operating humidity is 10%-90%RH.  
Do not use this product in an outdoor environment.
- The product is intended to be used by adults; children under the age of 16 should only use the product under adult supervision.

- **Duty cycle: 2 min on/ 18 min off.**

**The Electric Stand motors are intended for intermittent use.**

- Continuous or extended use (more than 2 minutes) will trigger the safety system to switch the motors off. If this occurs, please wait at least 18 minutes before re-operating.
- The system will switch back from protection mode to normal. If not, unplug it from power for 2 minutes and then reconnect.

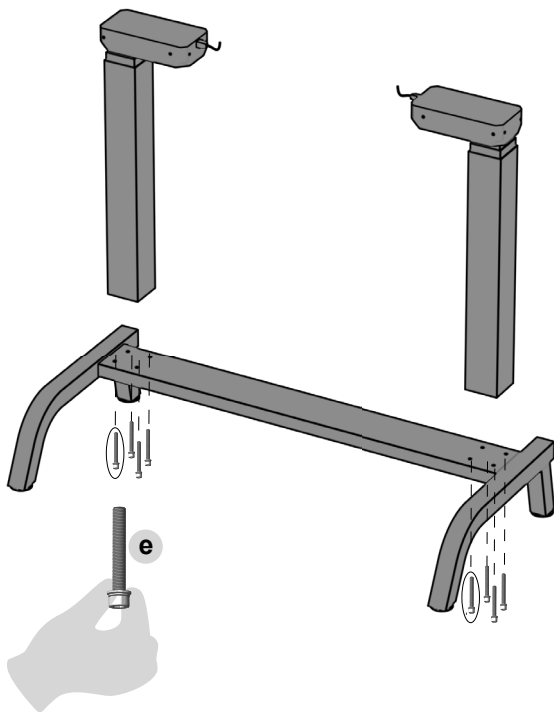
### **Anti-collision function:**

- The product will be stopped and moved up 50mm automatically when an obstacle or jitter is detected during descending operation.
- The product will be stopped automatically when an obstacle or jitter during ascending operation.
- **The anti-collision function does not relieve the user of his responsibility to respect the safety distances when operating the device.**

e

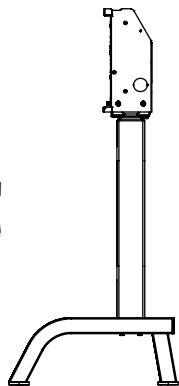
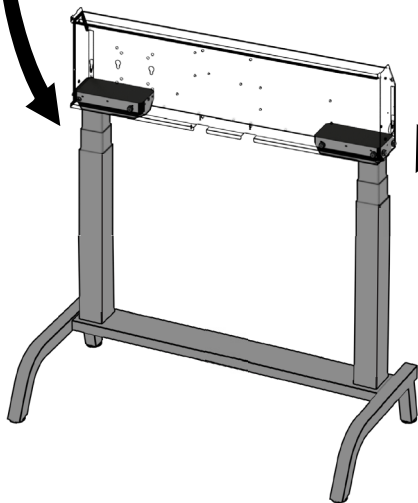
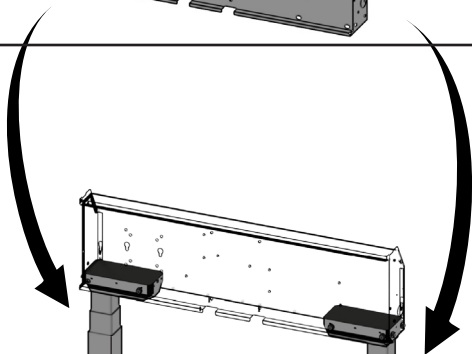
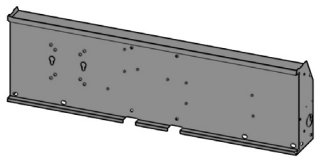


8x  
M6x45



6

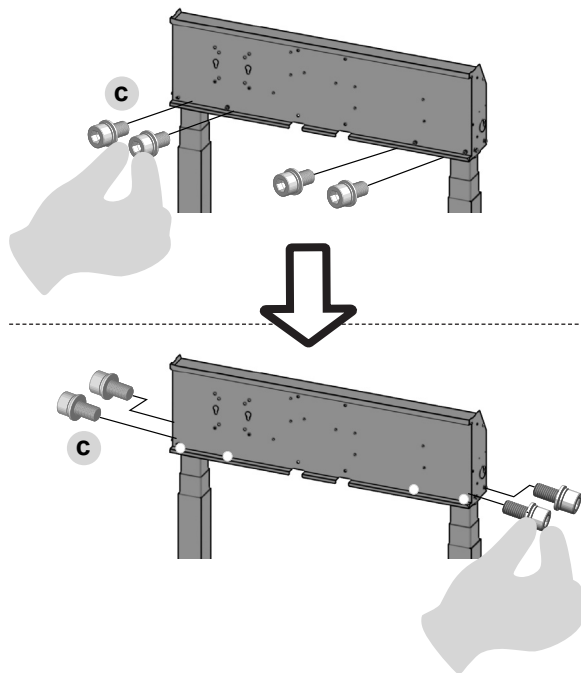
#4



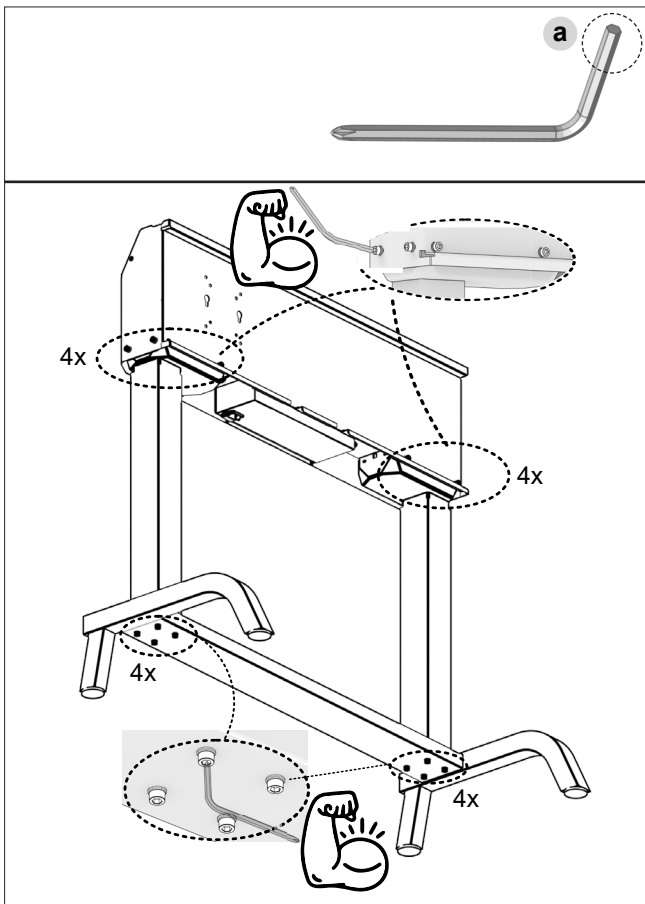
**C**

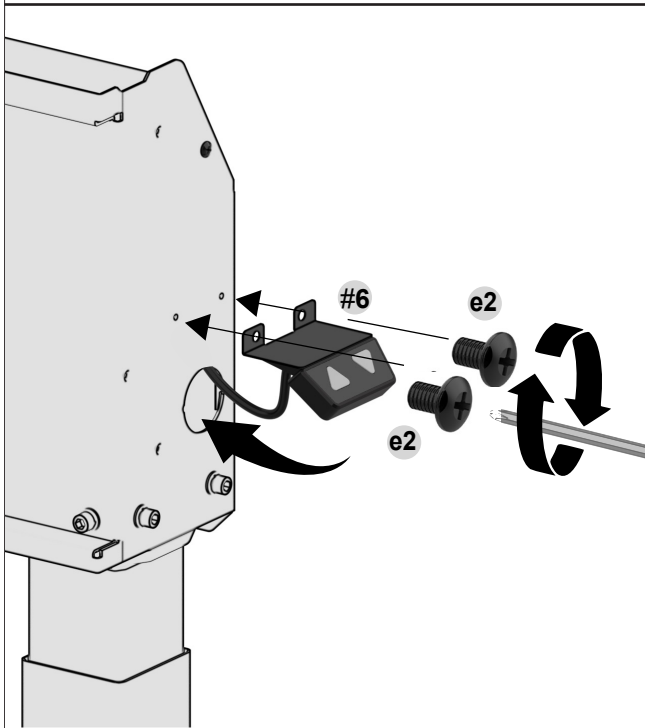
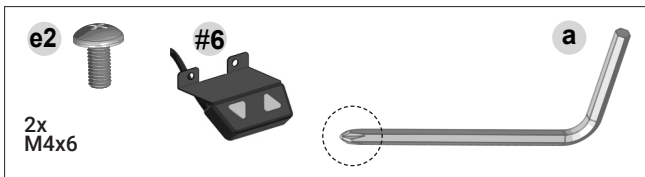


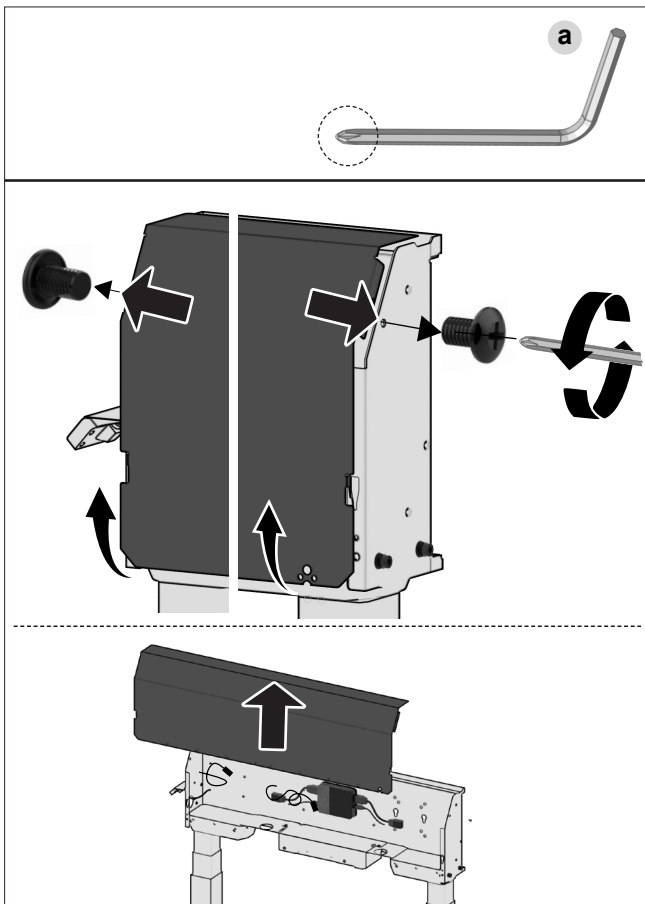
8x  
M6x12

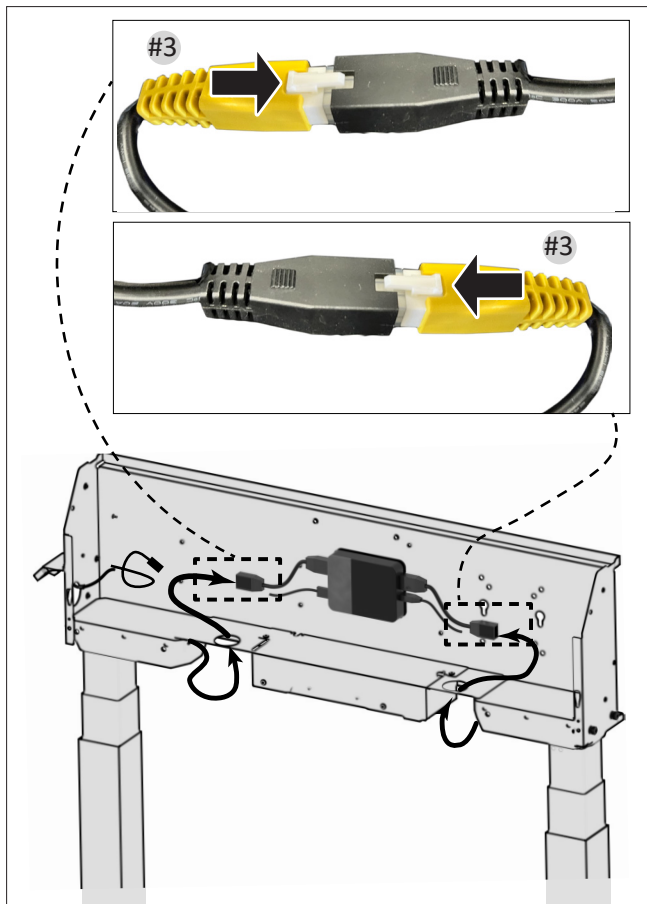


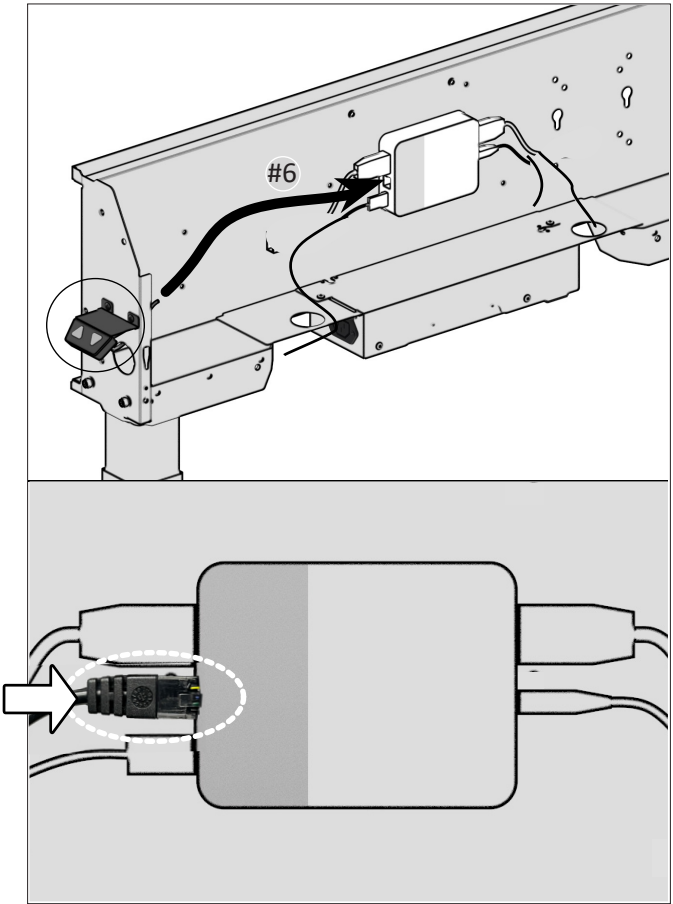


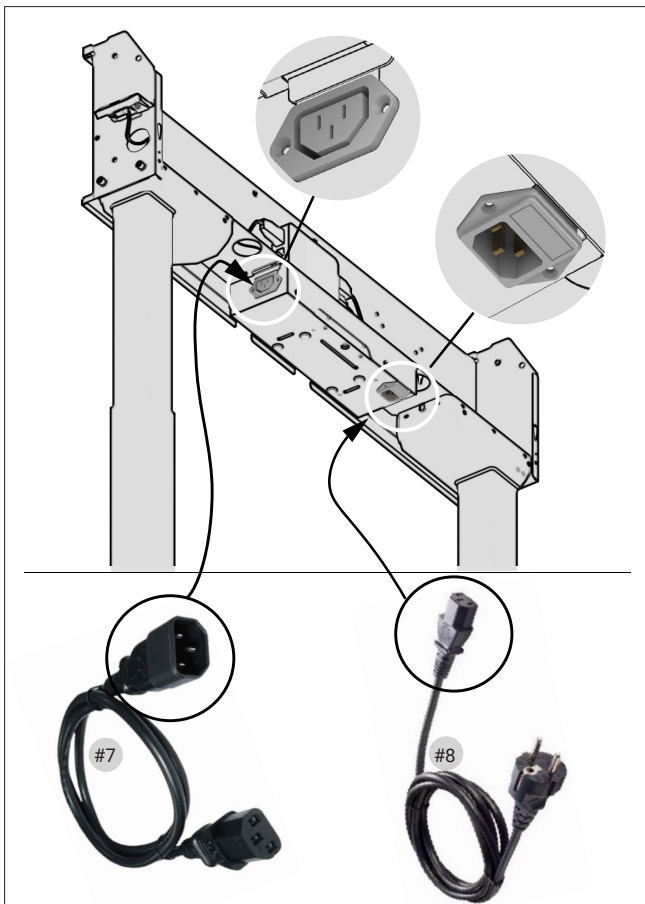




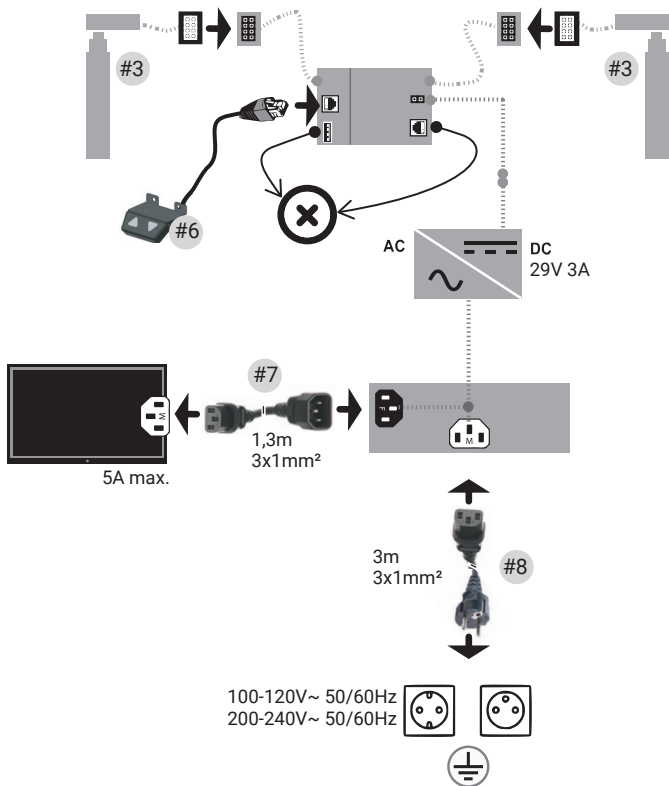


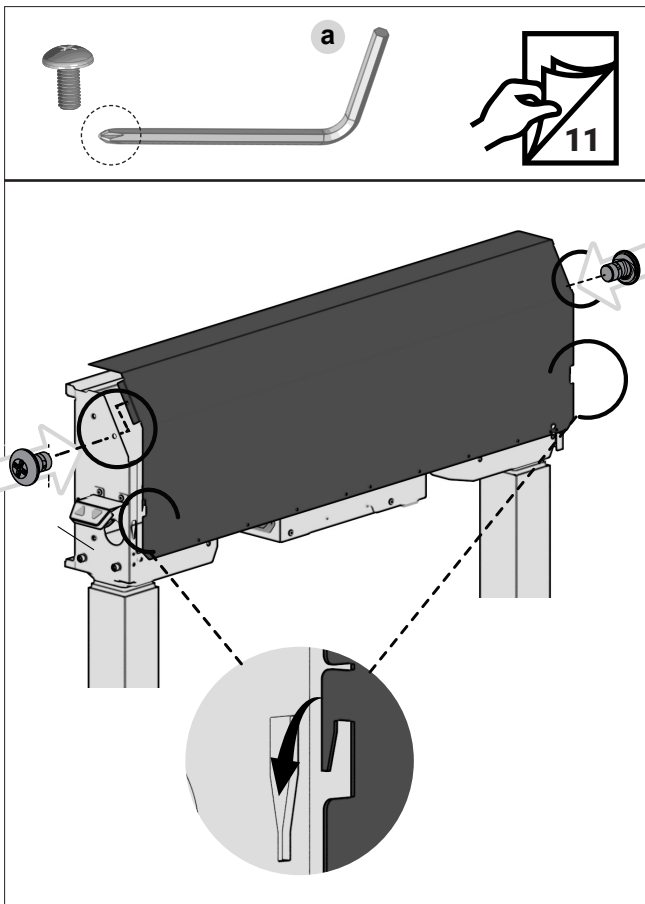




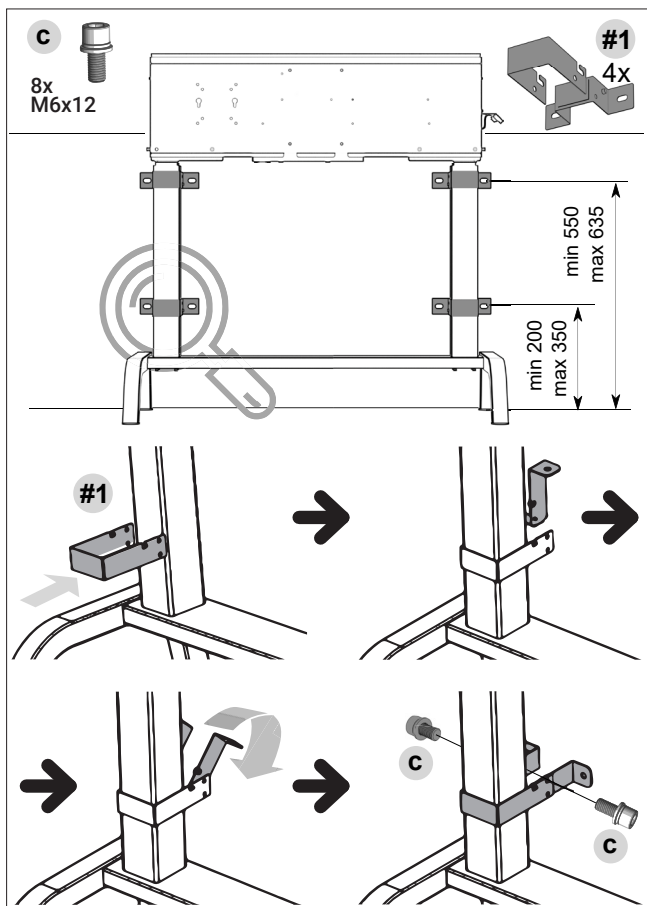


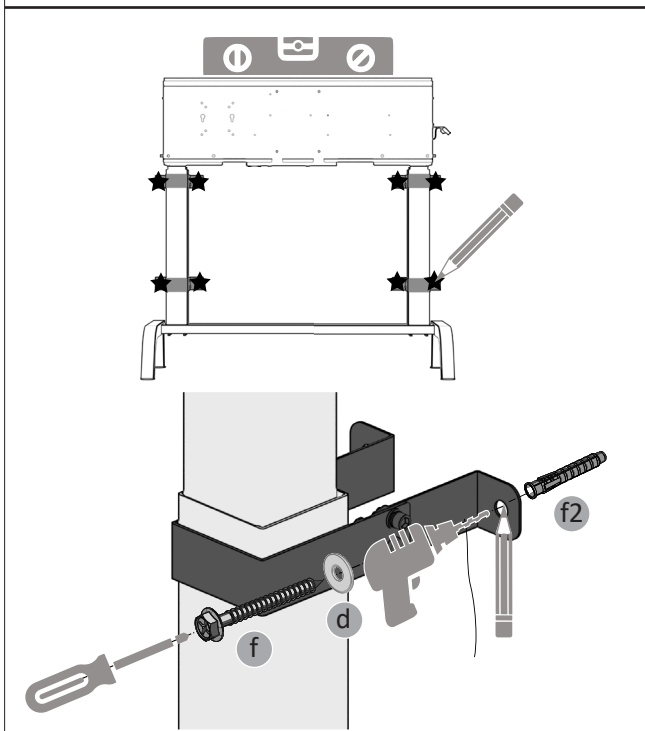
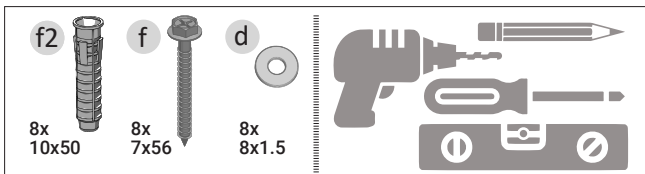
## OVERVIEW OF CONNECTIONS

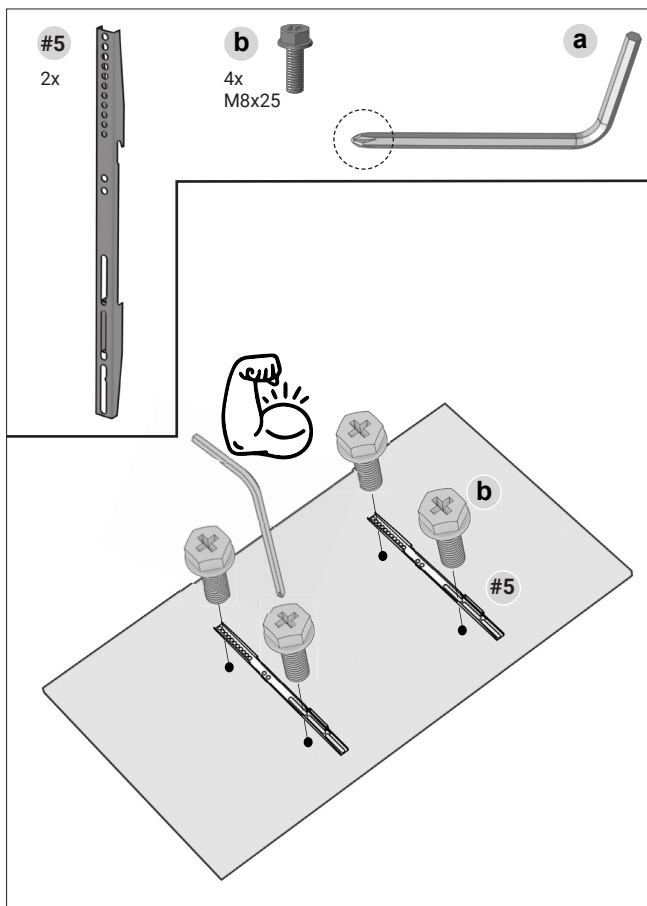








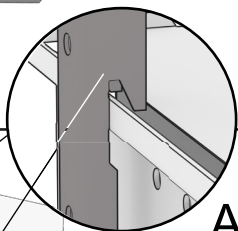




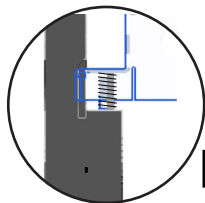
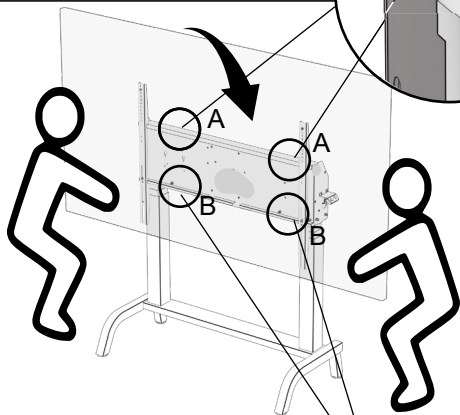
**g**



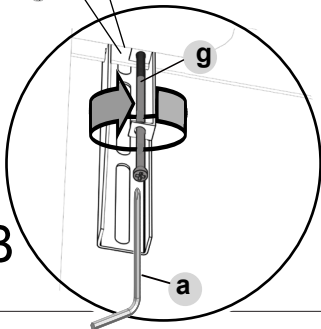
2x  
M6x130



**A**



**B**



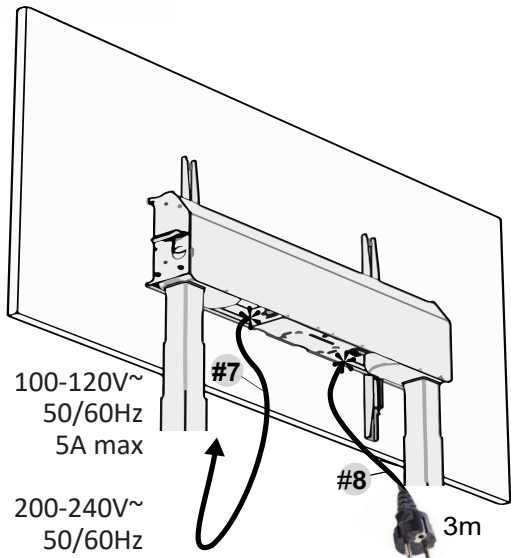
**g**

**a**

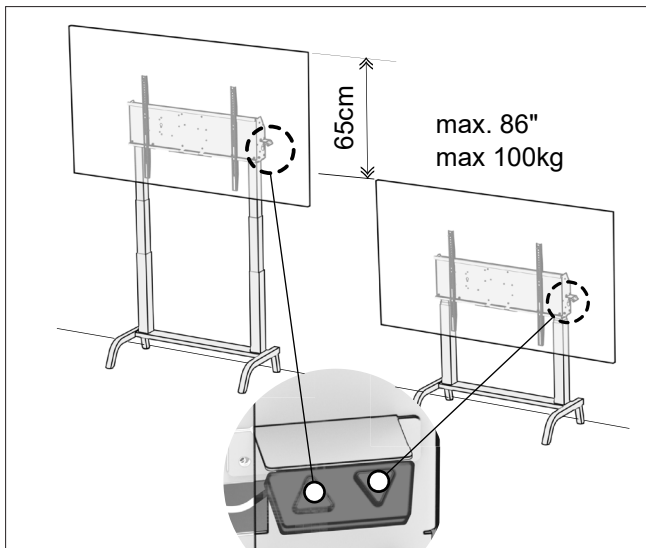
#7



#8



100-120V~ 50/60Hz  
200-240V~ 50/60Hz



- When using it for the first time, you need to press the down button 5 seconds to reset.
  - After the reset starts, the columns automatically drop to the lowest point and then automatically rebound 7mm. This means 'reset complete'.
  - If it goes to the bottom and bounces 50mm, it needs to be forced to reset. Proceed as follows:
    - \* Press the down button for 10 seconds.
    - \* The column goes to the bottom and rebounds 50mm.
    - \* Then keep pressing the down button for 5s to reset,
    - \* When the column descends to the bottom and rebounds 7mm, the reset is complete).
- Use the controller to rise the stand, ensure it functions normally, and observe the length of the AC cable to ensure that it will not be pulled.



## WARNINGS



**BEWARE OF ELECTRICAL SAFETY.  
CONNECT TO A GROUNDED POWER OUTLET. DO  
NOT OPEN; NO USER SERVICEABLE PARTS INSIDE.**



**AT ANY TIME, THIS UNIT MUST BE ABLE TO BE  
DISCONNECTED FROM MAINS.**



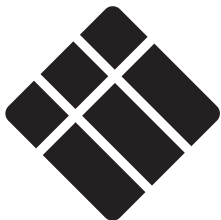
**KEEP THE MOTION AREA FREE FROM OBJECTS.  
KEEP A SAFETY DISTANCE FROM AT LEAST 20CM.**



**ASSURE INSTALLATION BY COMPETENT PERSON.  
ANTI-COLLISION IS TO LIMIT MECHANICAL  
DAMAGE. KEEP SAFETY DISTANCE TO PREVENT  
PERSONAL INJURY.**



**FOR INSIDE USE ONLY. PROTECT FROM WET,  
SPRAY AND FLUIDS. CLEAN WITH A MICROFIBER  
OR DAMP CLOTH ONLY.**



**i3-TECHNOLOGIES**

[www.i3-technologies.com](http://www.i3-technologies.com)

[info@i3-technologies.com](mailto:info@i3-technologies.com)