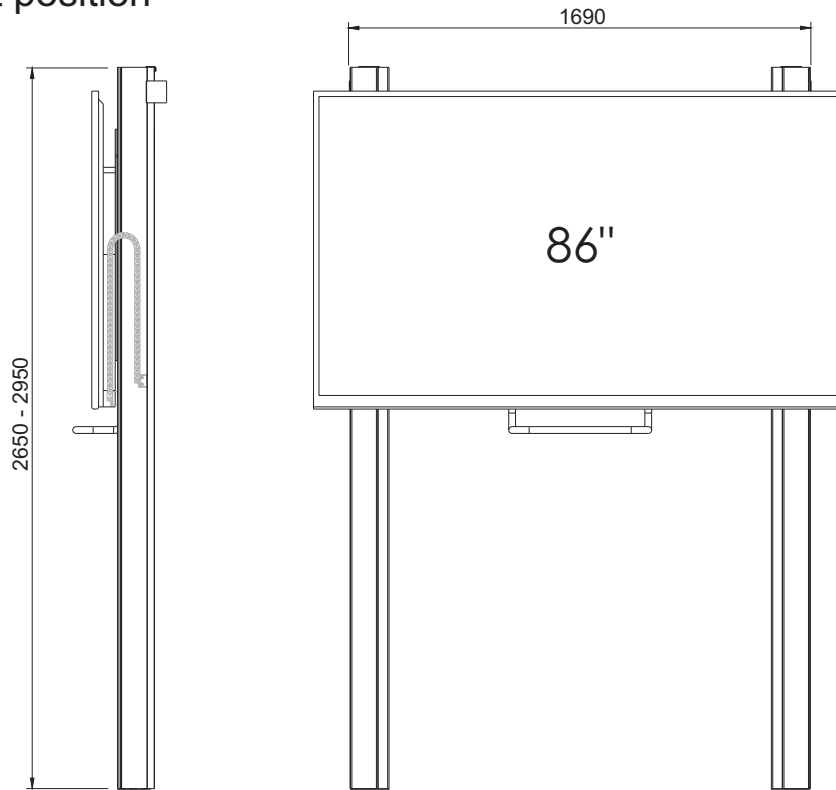


DISPLAY ON COLUMNS

1. DIMENSIONS :

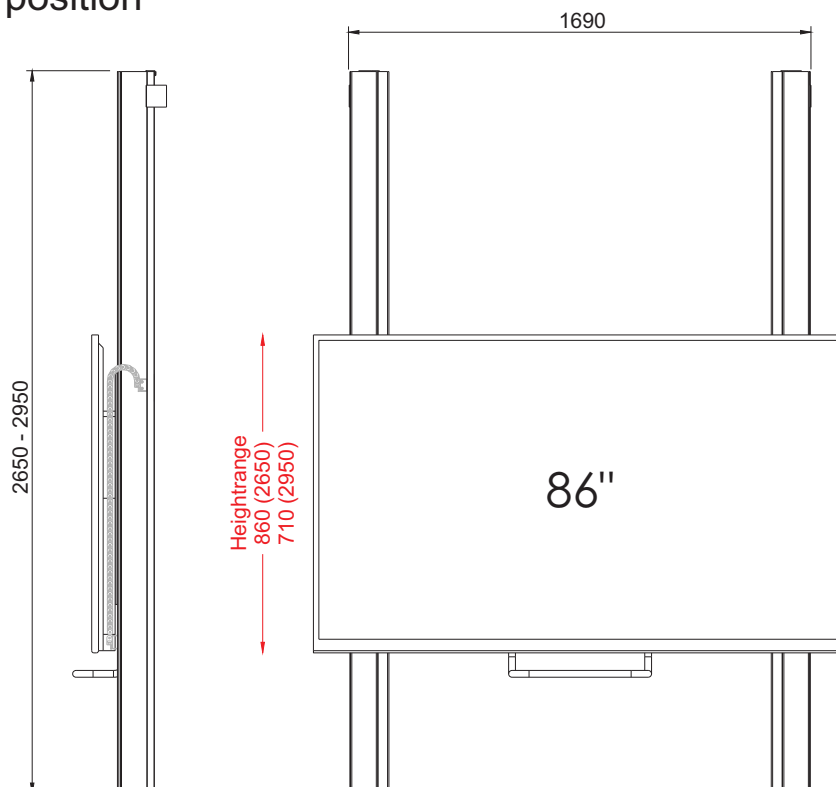
Highest position

fig. 1



Lowest position

fig. 2



Drilling diagramme

fig. 3 (concrete or masonry)

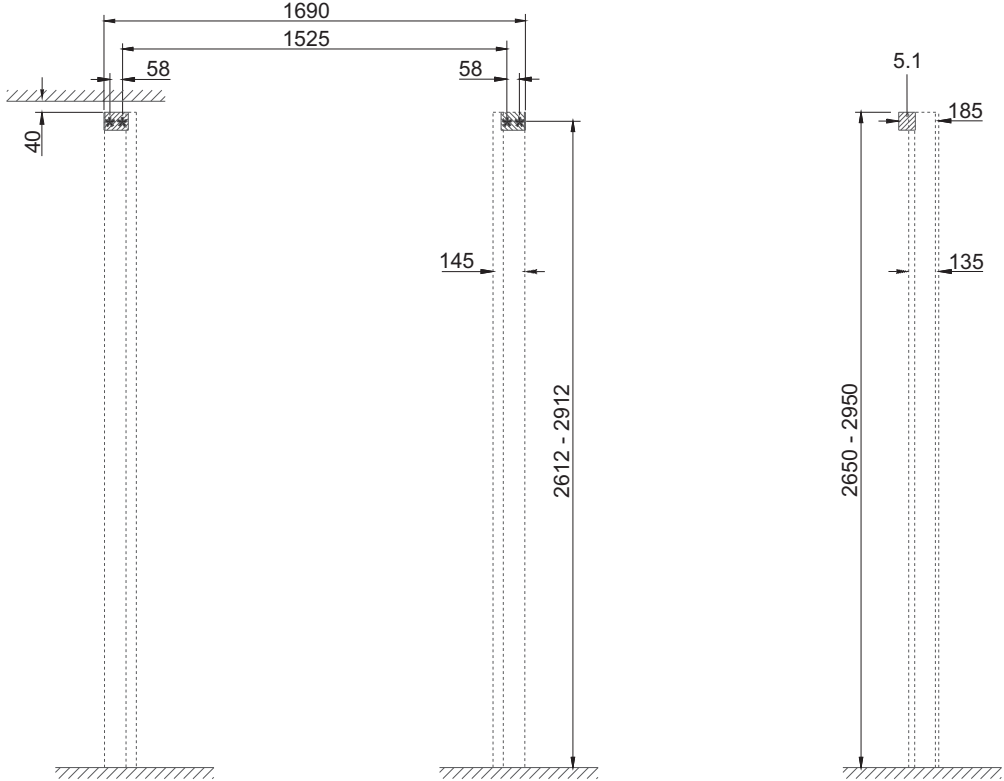
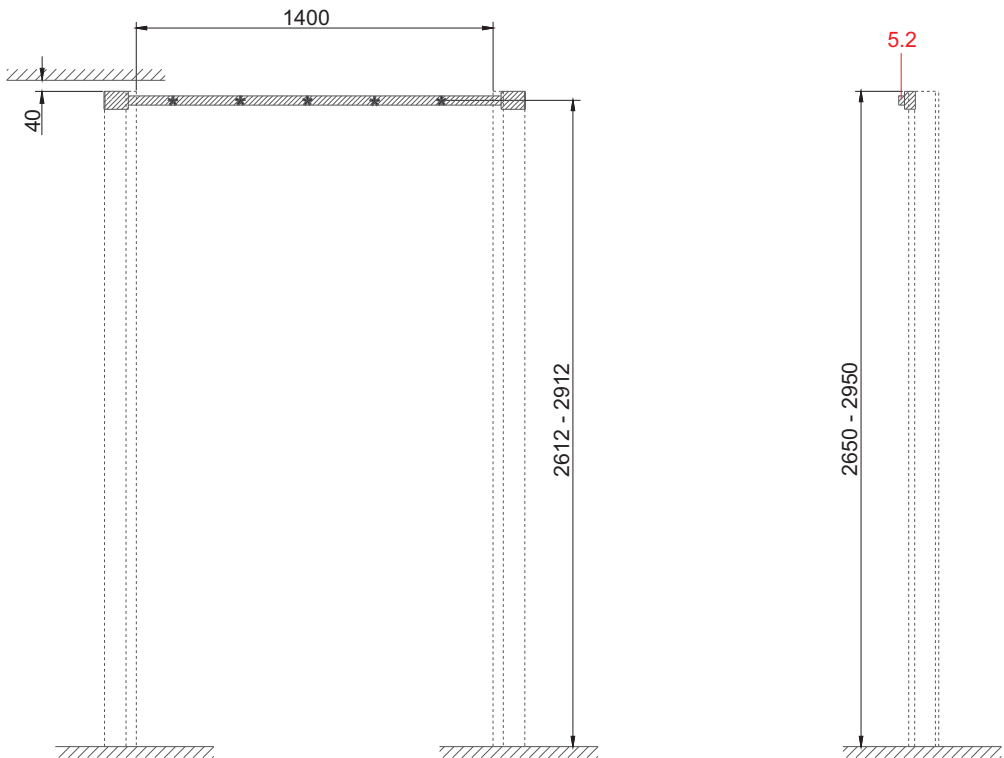


fig. 4 (light construction walls)



Picture 3 and 4 shows the drilling diagramme, drill and screw only on marked points. The minimum clearance to ceiling is 40 mm.

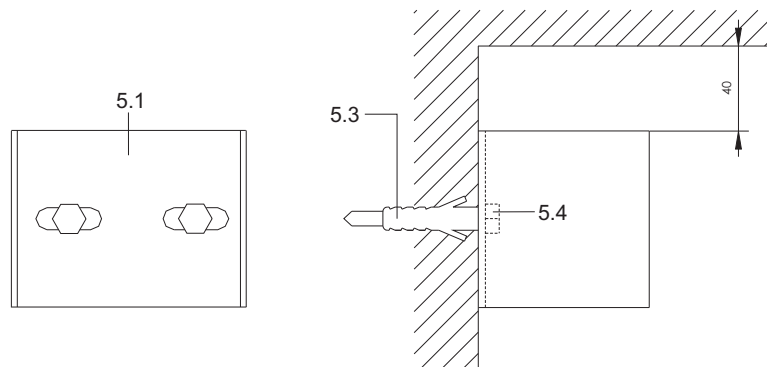
Note: part 5.2 is NOT included = to be ordered separately !!!

2. INSTALLATIONS :

Columns and sliding system

fig. 5

(concrete or masonry)

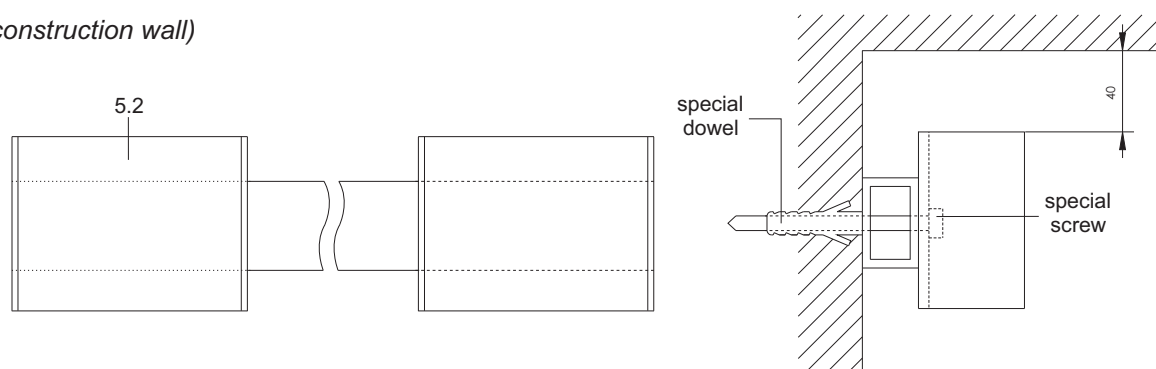


**minimum clearance
to ceiling is 40 mm**

- Mark drill holes, drill and install dowels 10*50 (5.3) in correct position (fig. 3).
- Fix the mounting brackets (5.1) with hex screws 8*80 (5.4).

or

(light construction wall)



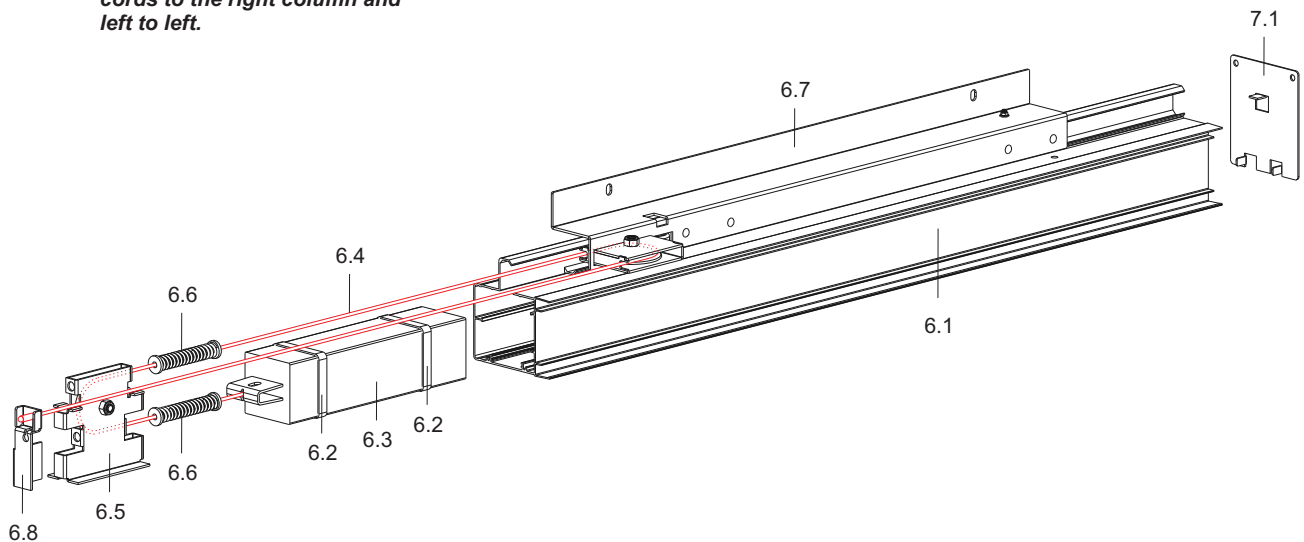
**minimum clearance
to ceiling is 40 mm**

- Place mounting bar (5.2) in correct position (fig. 4), mark drill holes, drill and install special dowels (for light construction walls).
- Fix the mounting bar (5.2) with special screws (for light construction walls).
- Cover up the special screws.

fig. 6

note !!!

make sure that the right board carrier and right floor plate accords to the right column and left to left.

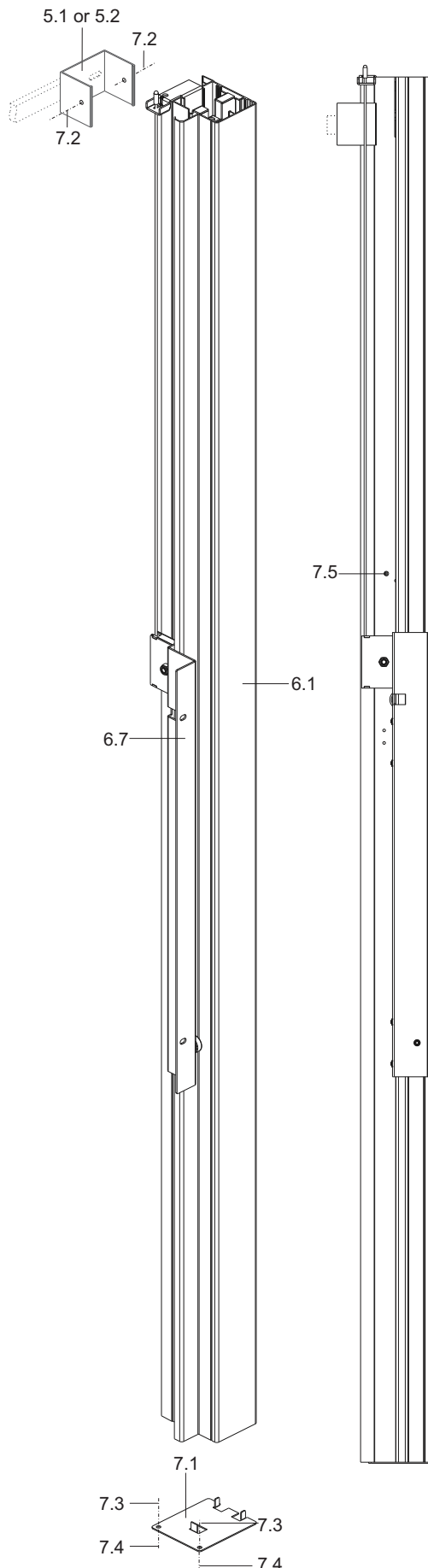


- Lay the column (6.1) on the floor as shown (fig6).
- Stick the self-adhesive strips of felt (6.2) around the counterweight (6.3).
- Attach the cable end (6.4) to the counterweight (6.3).
- Push the counterweight (6.3) by means of a rod or a bar +- 400mm into the column (6.1).
- Slip the cable (6.4) through the pulley (6.5) and place the second stop spring (6.6) around the cable (6.4).
- Slide the rolls of the board carrier (6.7) partially into the guide of the column (6.1).
- Slip the cable (6.4) around the pulley of the board carrier (6.7) and slide it further into the column (6.1).
- Adjust the pulley (6.5) into the column top (6.1).
- Attach the other end of the cable (6.4) to the cable holder (6.8).
- Adjust the cable holder (6.8) into the column top (6.1).
- Insert the floorplate (7.1) into the bottom of the column (6.1).
- After the assembly , erect the column (6.1) carefully.

Attention !!!

The counterweight slides downwards and the board carrier upwards.

fig. 7



- Push the column assembly (fig.6) to the mounting bracket (5.1) or mounting bar (5.2).

- Adjust the columns to a vertical position and parallel to each other, drill ($\varnothing 4,5$) and fix with hex tapping screw 5,5*25 (7.2).

- Fasten the floor plate (7.1) to the floor by means of screws 6*50 (7.3) and dowels S8 (7.4), after drilling the holes.

- Drill a hole $\varnothing 6,5$ (7.5) at 450mm + length of counterweight from top of the column.

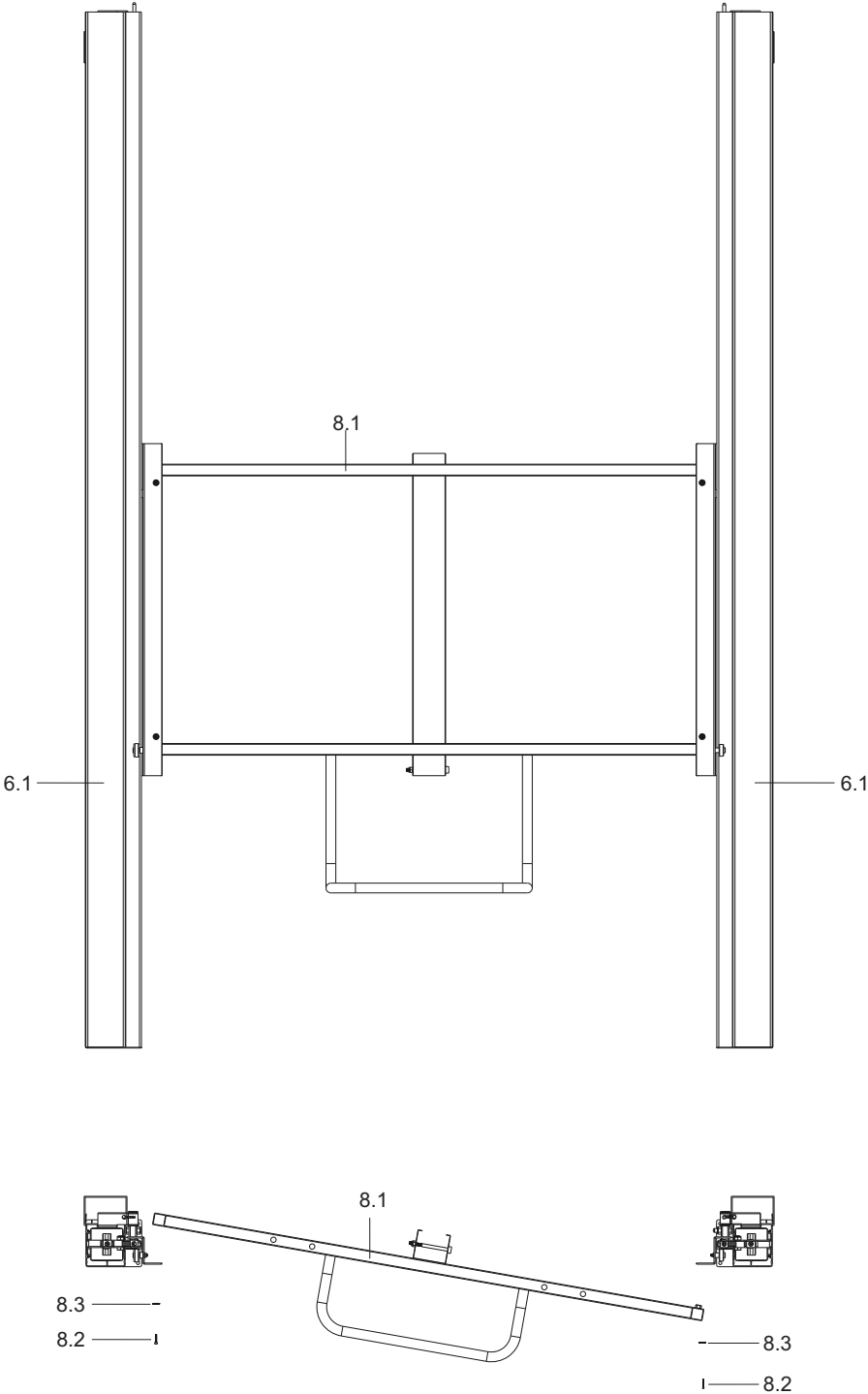
- Pull the board carrier (6.7) downwards.

- Secure the counterweight (6.3) against sliding downwards by pushing a screw M6*40 or equivalent (7.5) into the hole of the column.

Attention !!!

It is very important to take care of a perfect vertical and parallel position of the columns.

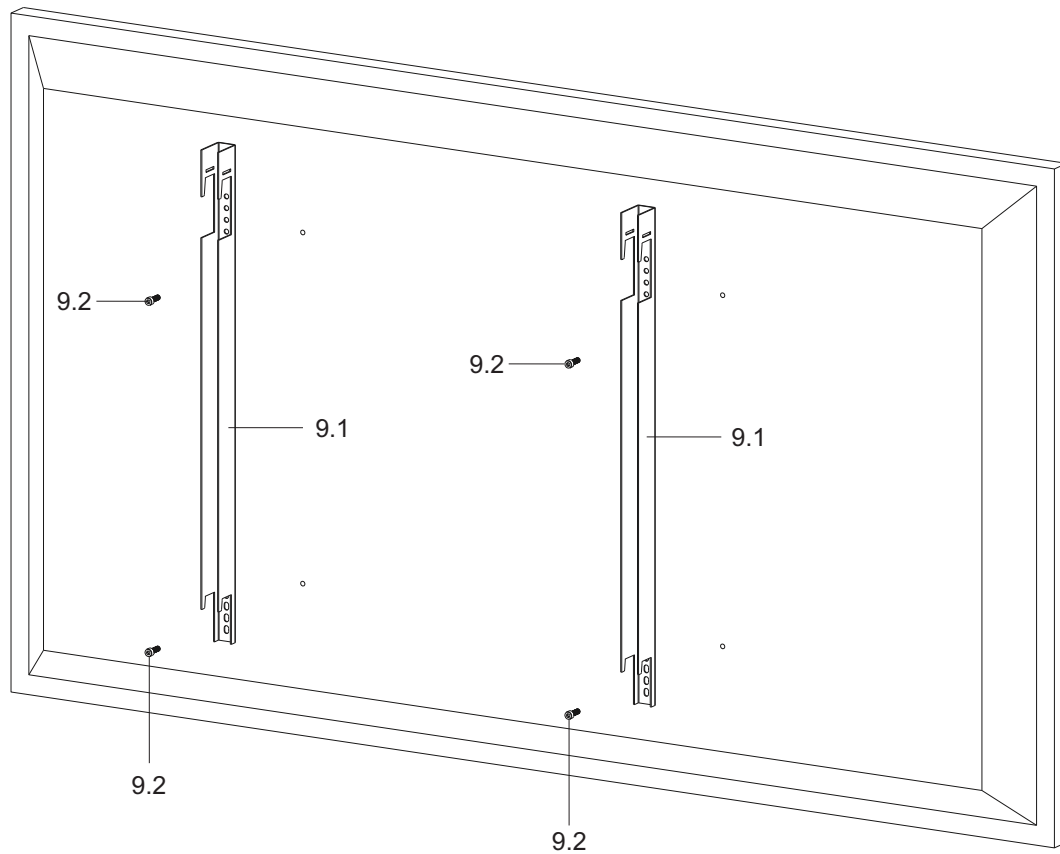
fig. 8



- Place the support structure (8.1) horizontally between the columns (6.1) and attach it at the back of the board carries with Allen screws M8*25 (8.2) and toothed washers M8 (8.3).

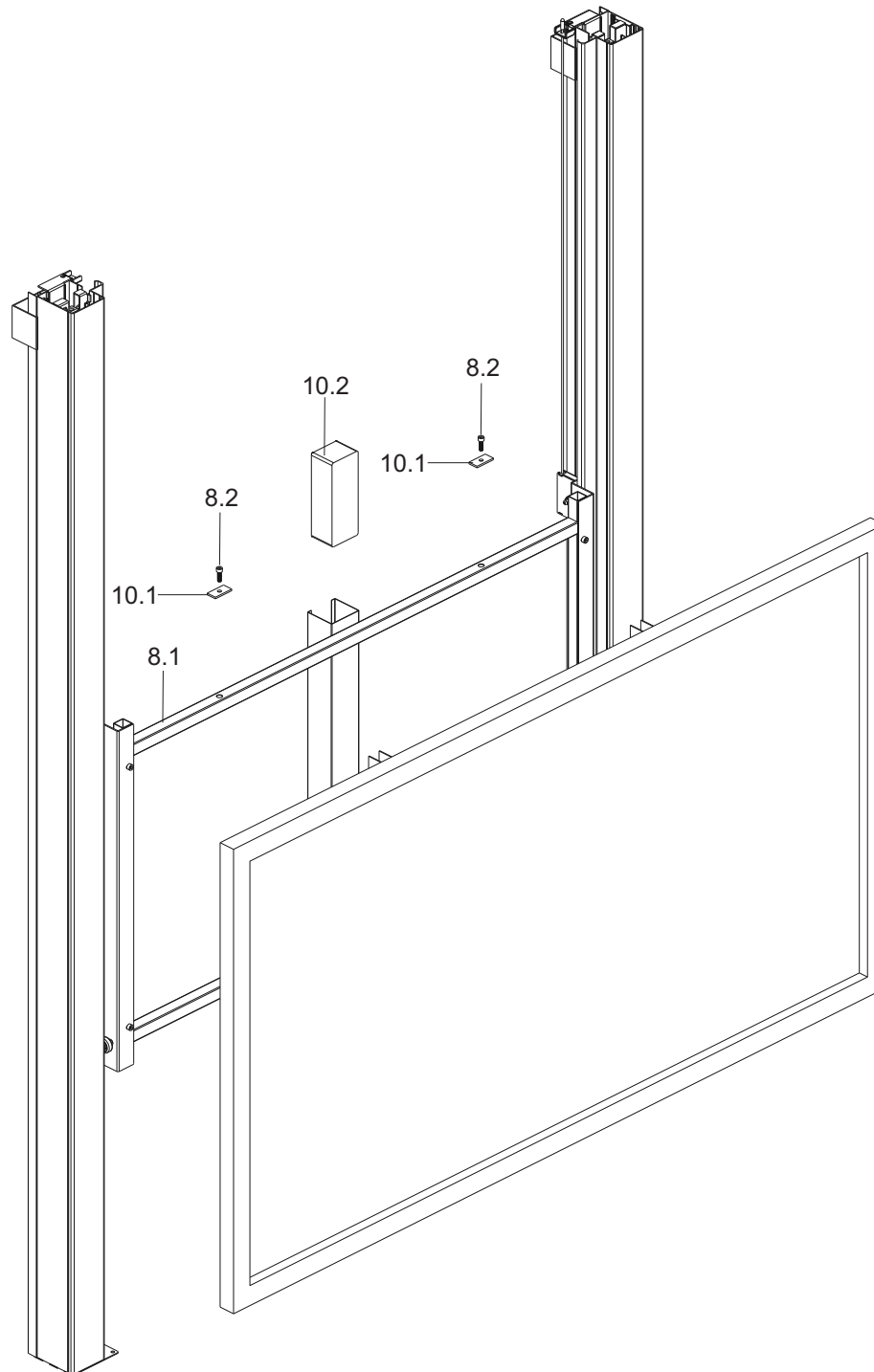
Display

fig. 9



- Attach the 2 display supports (9.1) at the back of the display with Allen screws M8*30 button head (9.2).

fig. 10



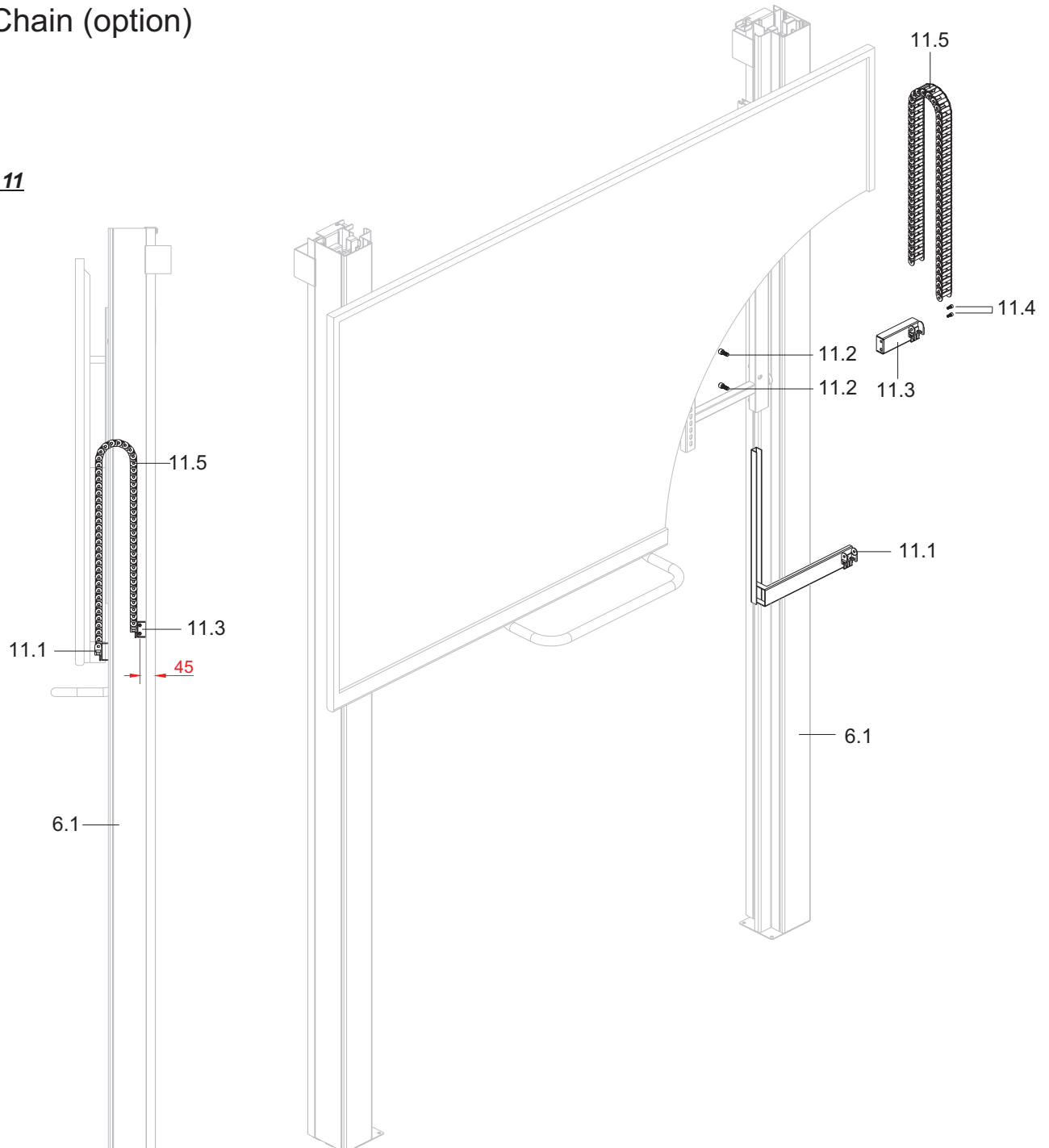
- Place the prepared display on the support structure (8.1) and secure the installation with blocking plates (10.1) and Allen screws M8*25 (8.2).

Attention !!!

Deblock the counterweight (6.3) in the columns (6.1) by removing the screw M6*40 or equivalent (7.5) and check the vertical sliding motion of the display, counterbalance if necessary, to do so, place the concrete block(s) (10.2) in the back of the support structure (8.1).

E-Chain (option)

fig. 11



- Place the display in its highest position.
- Place the E-chain holder (11.1) into the right side of the support structure (8.1) and align with the bottom of the display, when aligned fix with Allen screws (11.2).
- Place the E-chain fixed holder (11.3) horizontally with the E-chain holder (11.1) and mark the drill holes.
- Drill 2 holes $\varnothing 4\text{mm}$ in the column (6.1) and tap them to thread M5.
- Attach the E-chain fixed holder (11.3) with Allen screws (11.4).
- Place the cables in the chain (11.5) and click it into its ends.

3. PART LIST :

concrete or masonry wall

- mounting bracket (5.1)	2 each
- dowel 10*50 (5.3)	4 each
- hex screw 8*80 (5.4)	4 each
- column, right (6.1)	1 each
- column, left (6.1)	1 each
- self-adhesive strips of felt (6.2)	4 each
- counterweight (6.3)	2 each
- cable with stop springs (6.4)	2 each
- pulley (6.5)	2 each
- stop spring (6.6)	2 each
- board carrier, right (6.7)	1 each
- board carrier, left (6.7)	1 each
- cable holder, right (6.8)	1 each
- cable holder, left (6.8)	1 each
- floor plate, right (7.1)	1 each
- floor plate, left (7.1)	1 each
- hex tapping screw 5,5*25 (7.2)	4 each
- screw 6*50 (7.3)	4 each
- dowel S8 (7.4)	4 each
- screw M6*40 or equivalent (7.5)	2 each
- support structure (8.1)	1 each
- Allen screw M8*25 (8.2)	6 each
- toothed washer M8 (8.3)	4 each
- display support (9.1)	2 each
- Allen screw M8*30 button head (9.2)	4 each
- blocking plate (10.1)	2 each
- concrete block (10.2)	4 each

light construction wall

- mounting bar (5.2)	1 each
- special dowel	7 each
- special screw	7 each
- cover up cap	5 each
- column, right (6.1)	1 each
- column, left (6.1)	1 each
- self-adhesive strips of felt (6.2)	4 each
- counterweight (6.3)	2 each
- cable with stop springs (6.4)	2 each
- pulley (6.5)	2 each
- stop spring (6.6)	2 each
- board carrier, right (6.7)	1 each
- board carrier, left (6.7)	1 each
- cable holder, right (6.8)	1 each
- cable holder, left (6.8)	1 each
- floor plate, right (7.1)	1 each
- floor plate, left (7.1)	1 each
- hex tapping screw 5,5*25 (7.2)	4 each
- screw 6*50 (7.3)	4 each
- dowel S8 (7.4)	4 each
- screw M6*40 or equivalent (7.5)	2 each
- support structure (8.1)	1 each
- Allen screw M8*25 (8.2)	6 each
- toothed washer M8 (8.3)	4 each
- display support (9.1)	2 each
- Allen screw M8*30 button head (9.2)	4 each
- blocking plate (10.1)	2 each
- concrete block (10.2)	4 each

E-chain (option)

- | | |
|-------------------------------|--------|
| - E-chain holder (11.1) | 1 each |
| - Allen screw M8*20 (11.2) | 2 each |
| - E-chain fixed holder (11.3) | 1 each |
| - Allen screw M5*12 (11.4) | 2 each |
| - E-chain (11.5) | 1 each |